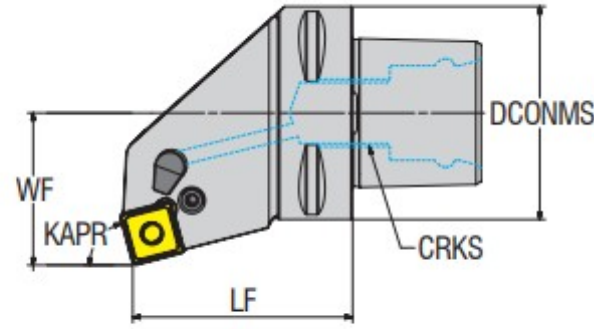
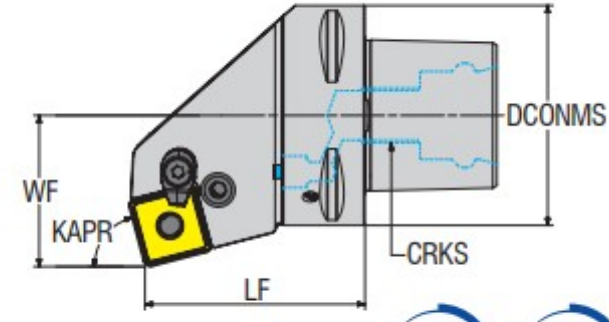




KAPR = 75°



(figure.1)



(figure.2)



Takım Kodu Ordering Code Bestell-Bezeichnung	Stok Stock Lager		Takım Ölçüleri (mm) Dimension (mm) Abmessung (mm)					Kesici Uç Insert Wendeschneidplatte	Yedek Parçaları / Spare Parts / Ersatzteile							
	R	L	DCONMS	LF	WF	CRKS	Fig.		Levyeye	Levyeye Vidası	Altlık	Altlık Yayı	Oring	Nozul	Nozul Vidası	Anahtar
									Lever	Lever Screw	Shim	Shim Spring	Ring	Nozzle	Nozzle Screw	Allen Key
AC4 PSKNR/L 27050 12 H	●	●	40	50	27	M14x1.5	1									
AC5 PSKNR/L 35060 12 H	●	●	50	60	35	M16x1.5	1	SN.. 120408	APL-02	ALV-03-M8X19	AASN-3-0004	AAY-02			2715-M3x4	
AC6 PSKNR/L 45065 12 H	●	●	63	65	45	M20x2	1									
AC5 PSKNR/L 35060 15 H	●	●	50	60	35	M16x1.5	1	SN.. 150612	APL-04	ALV-04-M8X22	AASN-3-0023	AAY-03	AXR-01 AOR-01	AN-01	2715-M3x8	AAL-03-3
AC6 PSKNR/L 45065 15 H	●	●	63	65	45	M20x2	1									
AC5 PSKNR/L 35060 19 H	●	●	50	60	35	M16x1.5	1	SN.. 190612								
AC6 PSKNR/L 45065 19 H	●	●	63	65	45	M20x2	1		APL-05	ALV-05-M10X27	AASN-3-0005	AAY-04				
AC8 PSKNR/L 55080 19 H	●	●	80	80	55	M20x2	1									AAL-05-4
AC8 PSKNR/L 55080 25C	●	●	80	80	55	M20x2	2	SN.. 250924	APL-06	ALV-06-M12X36	AASN-3-0020	AAY-05	-	ACN-M12-12.5	-	AAL-07-5