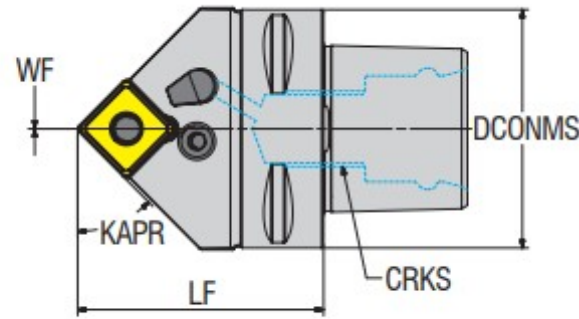
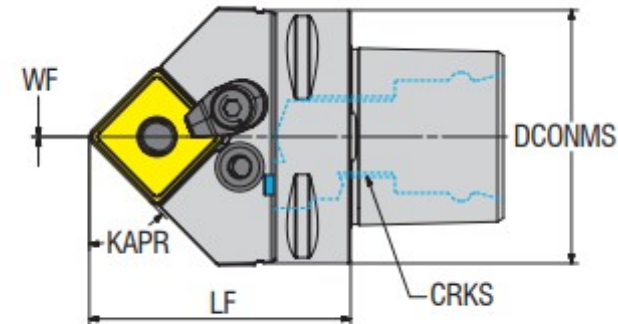




KAPR=45°



(figure.1)



(figure.2)



Takım Kodu Ordering Code Bestell-Bezeichnung	Stok Stock Lager		Takım Ölçüleri (mm) Dimension (mm) Abmessung (mm)					Kesici Uç Insert Wendeschneidplatte	Yedek Parçaları / Spare Parts / Ersatzteile								
	R	L	DCONMS	LF	WF	CRKS	Fig.		Levyeye	Levyeye Vidası	Altık	Altık Yayı	Oring	Nozul	Nozul Vidası	Anahtar	
									Lever	Lever Screw	Shim	Shim Spring	Ring	Nozzle	Nozzle Screw	Allen Key	
AC4 PSDNN 00050 12 H	●	●	40	50	0	M14x1.5	1										
AC5 PSDNN 00060 12 H	●	●	50	60	0	M16x1.5	1	SN.. 120408	APL-02	ALV-03-M8X19	AASN-3-0004	AAY-02					
AC6 PSDNN 00065 12 H	●	●	63	65	0	M20x2	1										
AC4 PSDNN 00050 15 H	●	●	40	50	0	M14x1.5	1										AAL-03-3
AC5 PSDNN 00060 15 H	●	●	50	60	0	M16x1.5	1	SN.. 150612	APL-04	ALV-04-M8X22	AASN-3-0023	AAY-03	AXR-01 AOR-01	AN-01	2715-M3x8		
AC6 PSDNN 00065 15 H	●	●	63	65	0	M20x2	1										
AC5 PSDNN 00060 19 H	●	●	50	60	0	M16x1.5	1										
AC6 PSDNN 00065 19 H	●	●	63	65	0	M20x2	1	SN.. 190612	APL-05	ALV-05-M10X27	AASN-3-0005	AAY-04					AAL-05-4
AC6 PSDNN 00065 25C	●	●	63	65	0	M20x2	2										
AC8 PSDNN 00080 25C	●	●	80	80	0	M20x2	2	SN.. 250924	APL-06	ALV-06-M12X36	AASN-3-0020	AAY-05	-	ACN-M12-12.5	-	AAL-07-5	