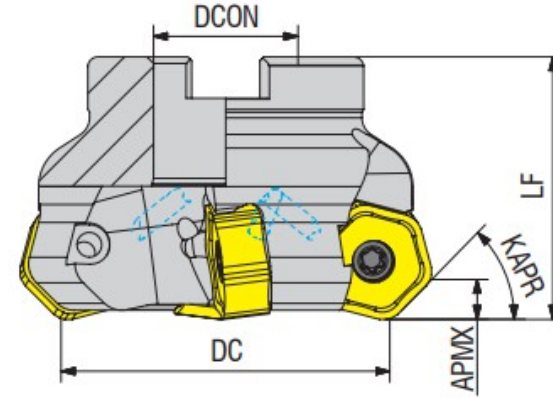




KAPR=45°



Takım Kodu
Ordering Code
Bestell-Bezeichnung

Stok
Stock
Lager

Takım Ölçüleri (mm)
Dimension (mm)
Abmessung (mm)

Kesici Uç
Insert
Wendeschneidplatte

Yedek Parçaları / Spare Parts / Ersatzteile

Sıkma Vidası
Screw
Schraube

Montaj Vidası
Mounting Screw
Befestigungsschraube

Tork Anahtar
Torx Key
Torx-Schlüssel

DC

ZAFP

DCON

LF

APMX



AFM45-HN0906-D050-A22-Z04-H



50

4

22

40

5

AFM45-HN0906-D063-A22-Z06-H



63

6

22

40

5

AFM45-HN0906-D080-A27-Z08-H



80

8

27

50

5

AFM45-HN0906-D100-A32-Z10



100

10

32

50

5

AFM45-HN0906-D125-B40-Z12



125

12

40

63

5

AFM45-HN0906-D160-C40-Z14



160

14

40

63

5

AFM45-HN0906-D200-C60-Z10



200

10

60

63

5

HN.. 0906..

4220-M4.5x10

2408-M10x30

2510-M12x35

80-T20