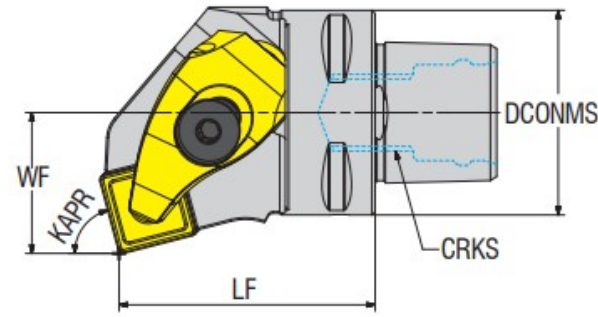
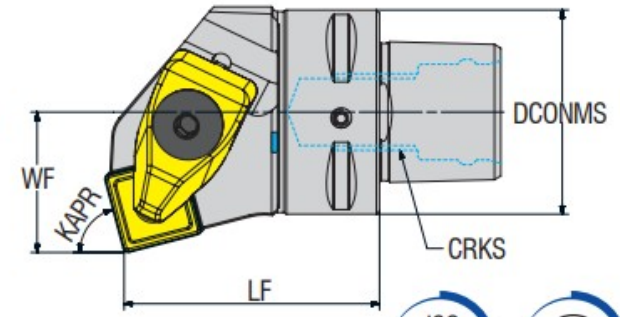




KAPR=75°



(figure.1)



(figure.2)



Takım Kodu Ordering Code Bestell-Bezeichnung	Stok Stock Lager		Takım Ölçüleri (mm) Dimension (mm) Abmessung (mm)					Kesici Uç Insert Wendeschneidplatte	Yedek Parçaları / Spare Parts / Ersatzteile															
	R	L	DCONMS	LF	WF	CRKS	Fig.		Baskı Pabuçu Wedge Clamp Spannpratze	Pabuç Vidası Clamp Screw Klemmschraube	Altlık Shim Unterlage	Altlık Vidası Shim Screw Schraube für Unterlage	Yay Spring Feder	Pul Stamp Ring	Oring Ring Feder	Nozul Nozzle Nozzle Düse	Anahtar Allen Key Innensechskantschlüssel							
AC3 TSKNR/L 22040 12	●	●	32	40	22	M12x1.5	2	SN.. 120408																
AC4 TSKNR/L 27050 12 H	●	●	40	50	27	M14x1.5	1											AKV-30-M6X22	-	ABPL-01	AS-01	ACN-M8-8.5	AAL-03-3	
AC5 TSKNR/L 35060 12 H	●	●	50	60	35	M16x1.5	1											ATKH-01-R ATKH-02-L	AASN-3-0004	AAV-02-M5x12				
AC6 TSKNR/L 45065 12 H	●	●	63	65	45	M20x2	1											AKV-33-M6X22						
AC5 TSKNR/L 35060 15 H	●	●	50	60	35	M16x1.5	1	SN.. 150612																
AC6 TSKNR/L 45065 15 H	●	●	60	65	45	M20x2	1											ATKH-07-R ATKH-08-L		AAV-05-M6x10	AKY-01	-	AXR-01	-
AC5 TSKNR/L 35060 19 H	●	●	50	60	35	M16x1.5	1	SN.. 190612																
AC6 TSKNR/L 45065 19 H	●	●	63	65	45	M20x2	1											AKV-39-M7X21	AASN-3-0023					
AC8 TSKNR/L 55080 19 H	●	●	80	80	55	M20x2	1											ATKH-09-R ATKH-10-L		AAV-17-M6x14				