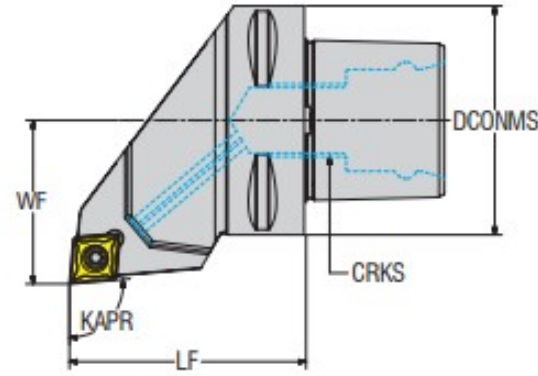
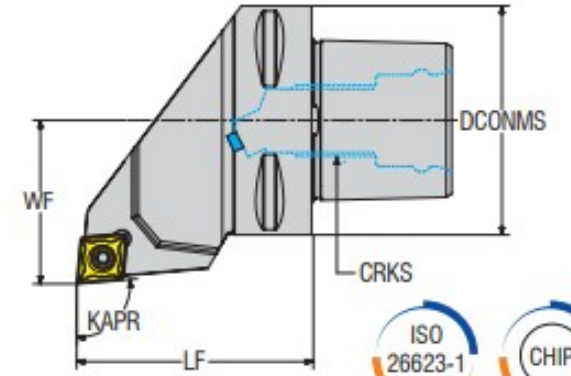




KAPR=95°



(figure.1)



(figure.2)

Takım Kodu Ordering Code Bestell-Bezeichnung	Stok Stock Lager		Takım Ölçüleri (mm) Dimension (mm) Abmessung (mm)					Kesici Uç Insert Wendeschneidplatte	Yedek Parçaları / Spare Parts / Ersatzteile				
	R	L	DCONMS	LF	WF	CRKS	Fig.		Sıkma Vidası Screw Klemmschraube	Altık Shim Unterlage	Altık Vidası Shim Screw Schraube für Unterlage	Nozul Nozzle Nozzle Düse	Tork Anahtar Torx Key Torx-Schlüssel
													
<b>new</b> AC3 SCLCR/L 22040 09	●	●	32	40	22	M12x1.5	2	<b>CC.. 09T308</b> 	4015-M3.5x14	AACN-2-0001	AAV-06-M3.5x11	ACN-M8-8.5	80-T15
<b>new</b> AC4 SCLCR/L 27050 09	●	●	40	50	27	M14x1.5	1					-	
<b>new</b> AC5 SCLCR/L 35060 09	●	●	50	60	35	M16x1.5	1					-	
<b>new</b> AC6 SCLCR/L 45065 09	●	●	63	65	45	M20x2	1	<b>CC.. 120408</b> 	1020-M4.5x16	AACN-2-0003	AAV-10-M4.5x8	ACN-M8-8.5	80-T20
AC3 SCLCR/L 22040 12	●	●	32	40	22	M12x1.5	2					-	
AC4 SCLCR/L 27050 12 H	●	●	40	50	27	M14x1.5	1					-	
AC5 SCLCR/L 35060 12 H	●	●	50	60	35	M16x1.5	1	-	-	-	-	-	
AC6 SCLCR/L 45065 12 H	●	●	63	65	45	M20x2	1	-	-	-	-	-	