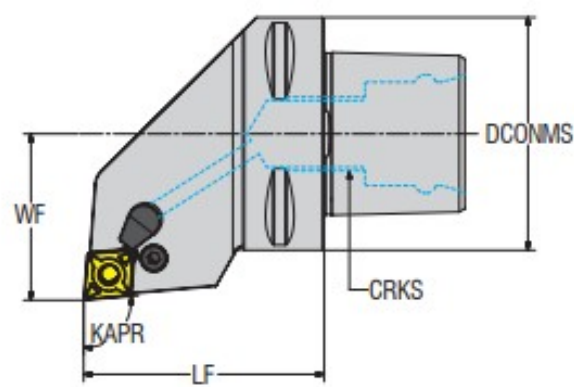
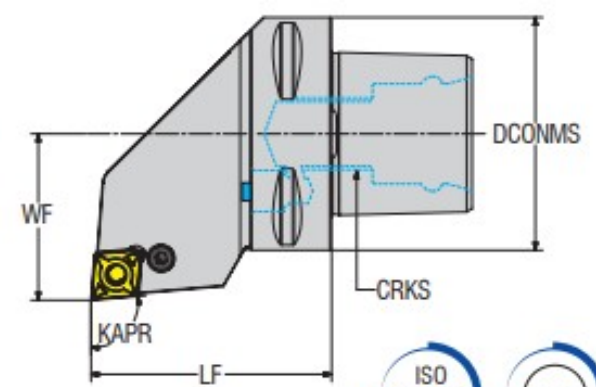




KAPR = 95°



(figure.1)



(figure.2)



Takım Kodu Ordering Code Bestell-Bezeichnung	Stok Stock Lager		Takım Ölçüleri (mm) Dimension (mm) Abmessung (mm)					Kesici Uç Insert Wendeschneidplatte	Yedek Parçaları / Spare Parts / Ersatzteile										
	R	L	DCONMS	LF	WF	CRKS	Fig.		Baskı Pabucu Wedge Clamp Spampratze	Pabuç Vidası Clamp Screw Klemmschraube	Levyé Lever Kniehebel	Levyé Vidası Lever Screw Kniehebelschraube	Altık Shim Unterlage	Altık Yayı Shim Spring Feder für Unterlage	Oring Ring Feder	Nozul Nozzle Nozzle Düse	Nozul Vidası Nozzle Screw Düse Schraube	Anahtar Allen Key Innensechskantschlüssel	
new AC3 PCLNR/L 22040 12 H	●	●	32	40	22	M12x1.5	1												
AC4 PCLNR/L 27050 12 H	●	●	40	50	27	M14x1.5	1												
AC5 PCLNR/L 35060 12 H	●	●	50	60	35	M16x1.5	1												CN. 120408
new AC6 PCLNR/L 45065 12 H	●	●	63	65	45	M20x2	1												
AC8 PCLNR/L 55080 12 H	●	●	80	80	55	M20x2	1												
new AC4 PCLNR/L 27050 16 H	●	●	40	50	27	M14x1.5	1												-
new AC5 PCLNR/L 35060 16 H	●	●	50	60	35	M16x1.5	1	CN. 160612											
new AC6 PCLNR/L 45065 16 H	●	●	63	65	45	M20x2	1												
new AC8 PCLNR/L 55080 16 H	●	●	80	80	55	M20x2	1												
new AC5 PCLNR/L 35060 19 H	●	●	50	60	35	M16x1.5	1												-
new AC6 PCLNR/L 45065 19 H	●	●	63	65	45	M20x2	1												
new AC8 PCLNR/L 55080 19 H	●	●	80	80	55	M20x2	1												
new AC5 PCLNR/L 35060 19 H	●	●	50	60	35	M16x1.5	1												-
new AC6 PCLNR/L 45065 19 H	●	●	63	65	45	M20x2	1												
new AC8 PCLNR/L 55080 25C	●	●	80	80	55	M20x2	2	CN. 250924	ACK-04	AKV-16-M6x16	APL-06	ALV-06-M12x36	AACN-3-0008	AAY-05	-	ACN-M12-12.5	2715-M3x11	AAL-07-5	