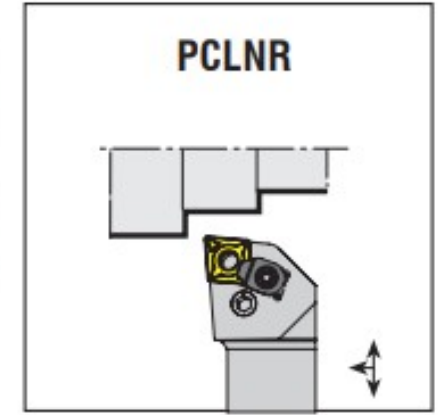
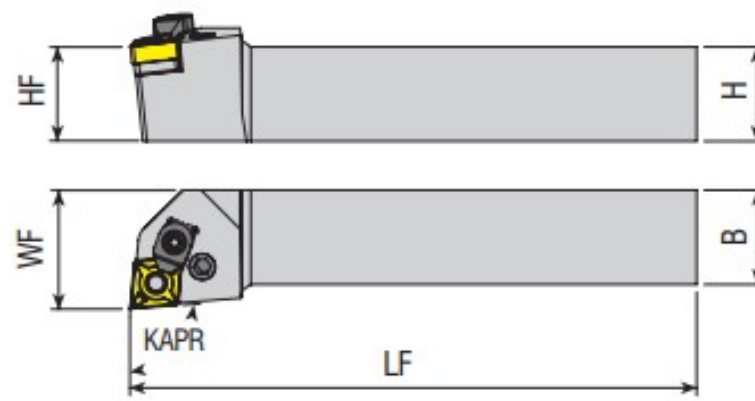


KAPR=95°



**Takım Kodu**  
**Ordering Code**  
**Bestell-Bezeichnung**

Stok  
Stock  
Lager

Takım Ölçüleri (mm)  
Dimension (mm)  
Abmessung (mm)

Kesici Uç  
Insert  
Wendeschneidplatte

Levyeye  
Lever  
Kniehebel

Levyeye Vidası  
Lever Screw  
Kniehebelschraube

Altık  
Shim  
Unterlage

Altık Yayı  
Shim Spring  
Feder für Unterlage

Baskı Parçası  
Wedge Clamp  
Spannpratze

Baskı Vidası  
Clamp Screw  
Klemmschraube

Anahtar  
Allen Key  
Innensechskantschlüssel

R

L

HF=H

B

LF

WF



Yedek Parçaları / Spare Parts / Ersatzteile

| Takım Kodu<br>Ordering Code<br>Bestell-Bezeichnung | Stok<br>Stock<br>Lager |   | Takım Ölçüleri (mm)<br>Dimension (mm)<br>Abmessung (mm) |    |     |    | Kesici Uç<br>Insert<br>Wendeschneidplatte | Levyeye<br>Lever<br>Kniehebel | Levyeye Vidası<br>Lever Screw<br>Kniehebelschraube | Altık<br>Shim<br>Unterlage | Altık Yayı<br>Shim Spring<br>Feder für Unterlage | Baskı Parçası<br>Wedge Clamp<br>Spannpratze | Baskı Vidası<br>Clamp Screw<br>Klemmschraube | Anahtar<br>Allen Key<br>Innensechskantschlüssel |
|--|------------------------|---|---|----|-----|----|---|-------------------------------|--|----------------------------|--|---|--|---|
|  | R                      | L | HF=H  | B  | LF  | WF |   |                               |  |                            |  |   |  |   |
| PCLNR/L 1616 H09                                   | ●                      | ● | 16  | 16 | 100 | 20 | CN.. 0903..                               | APL-01                        | ALV-02-M6x17                                       | AACN-2-0002                | AAY-01   | -   | -  | AAL-02-2.5                                      |
| PCLNR/L 2020 K09                                   | ●                      | ● | 20  | 20 | 125 | 25 |   |                               |  |                            |  |   |  |   |
| PCLNR/L 2525 M09                                   | ●                      | ● | 25  | 25 | 150 | 32 | CN.. 1204..                               | APL-02                        | ALV-03-M8x19                                       | AACN-3-0001                | AAY-02   | ACK-05                                      | 4015-M4x11                                   | AAL-03-3  |
| PCLNR/L 1616 H12                                   | ●                      | ● | 16  | 16 | 100 | 20 |   |                               |  |                            |  |   |  |   |
| PCLNR/L 2020 K12C                                  | ●                      | ● | 20  | 20 | 125 | 25 | CN.. 1606..                               | APL-04                        | ALV-04-M8x22                                       | AACN-3-0002                | AAY-03   |   |  |   |
| PCLNR/L 2525 M12C                                  | ●                      | ● | 25  | 25 | 150 | 32 |   |                               |  |                            |  |   |  |   |
| PCLNR/L 3232 P12C                                  | ●                      | ● | 32  | 32 | 170 | 40 | CN.. 1906..                               | APL-05                        | ALV-05-M10x27                                      | AACN-3-0003                | AAY-04   | ACK-09                                      | AAV-05-M6x15                                 | AAL-05-4  |
| PCLNR/L 2525 M16C                                  | ●                      | ● | 25  | 25 | 150 | 32 |   |                               |  |                            |  |   |  |   |
| PCLNR/L 3232 P16C                                  | ●                      | ● | 32  | 32 | 170 | 40 | CN.. 2509..                               | APL-06                        | ALV-06-M12x36                                      | AACN-3-0008                | AAY-05   | ACK-04                                      | AKV-16-M6x16                                 | AAL-07-5  |
| PCLNR/L 2525 M19C                                  | ●                      | ● | 25  | 25 | 150 | 32 |   |                               |  |                            |  |   |  |   |
| PCLNR/L 3232 P19C                                  | ●                      | ● | 32  | 32 | 170 | 40 |   |                               |  |                            |  |   |  |   |
| PCLNR/L 4040 S19C                                  | ●                      | ● | 40  | 40 | 250 | 50 |   |                               |  |                            |  |   |  |   |
| PCLNR/L 5050 S19C                                  | ●                      | ● | 50  | 50 | 250 | 60 |   |                               |  |                            |  |   |  |   |
| PCLNR/L 4040 S25C                                  | ●                      | ● | 40  | 40 | 250 | 50 |   |                               |  |                            |  |   |  |   |
| PCLNR/L 5050 S25C                                  | ●                      | ● | 50  | 50 | 250 | 60 |   |                               |  |                            |  |   |  |   |

R: Sağ / Right / Rechts L: Sol / Left / Links

● Stokta / In Stock / Auf Lager ○ Stokta Yok / Non Stock Item / Kein Lagerartikel, Lieferzeit auf Anfrage

Sipariş Örneği/Ordering Example/Bestellbeispiel

1 ad./pcs./stück PCLNR 2020 K12C