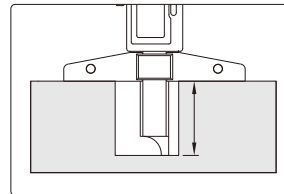
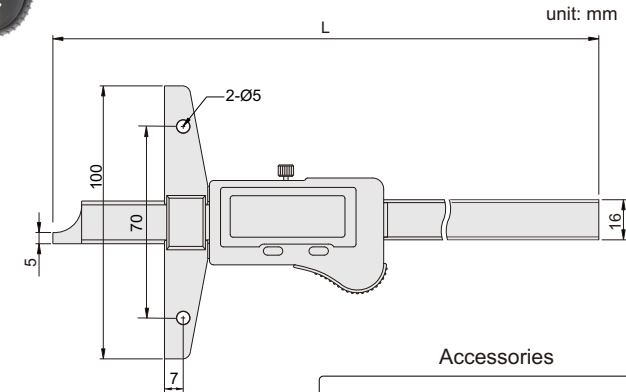


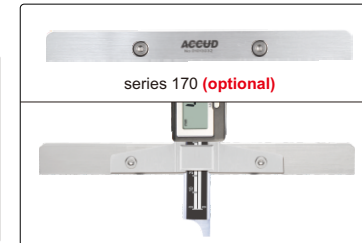


197-006-21

- ◆ IP67 protection level
- ◆ Absolute measuring system
- ◆ Resolution: 0.01mm/0.0005"
- ◆ Automatic power off
- ◆ Buttons: zero, mm/inch, data preset
- ◆ Made of stainless steel
- ◆ Optional accessory: series 170 extension base



Accessories



Code	Range	Accuracy	L
197-006-21	0-150mm/0-6"	±0.02mm	237
197-008-21	0-200mm/0-8"	±0.02mm	287
197-012-21	0-300mm/0-12"	±0.03mm	403