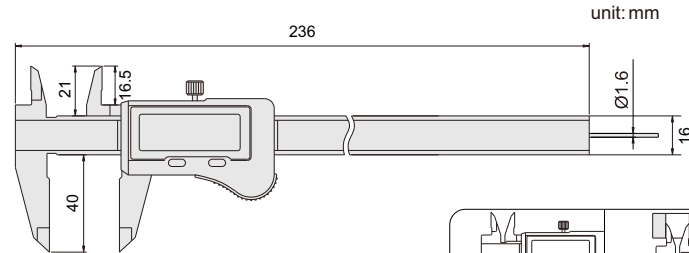
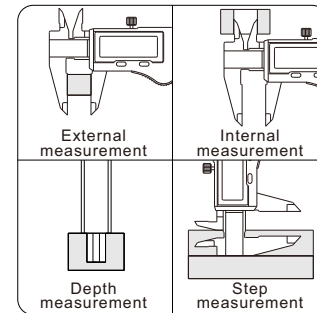


112-006-11HR

- ◆ IP67 protection level
- ◆ Absolute measuring system
- ◆ Resolution: 0.01mm/0.0005"
- ◆ Automatic power off
- ◆ Buttons: zero, mm/inch, data preset
- ◆ Made of stainless steel



unit: mm



Code	Range	Accuracy
112-006-11HR	0-150mm/0-6"	±0.02mm

With manufacturer inspection certificate