

8

7

6

5

4

3

2

1

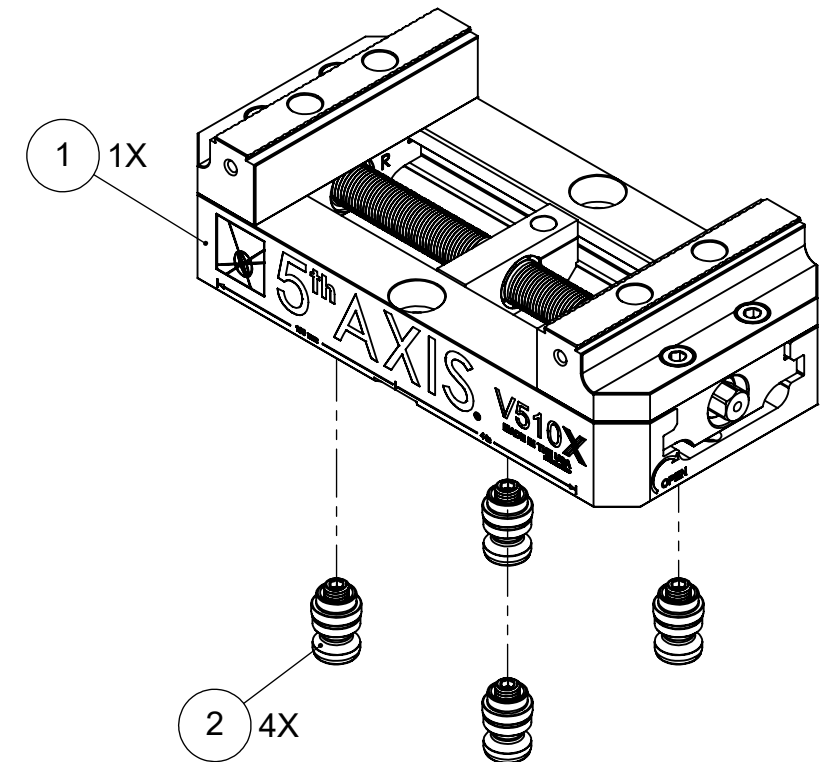
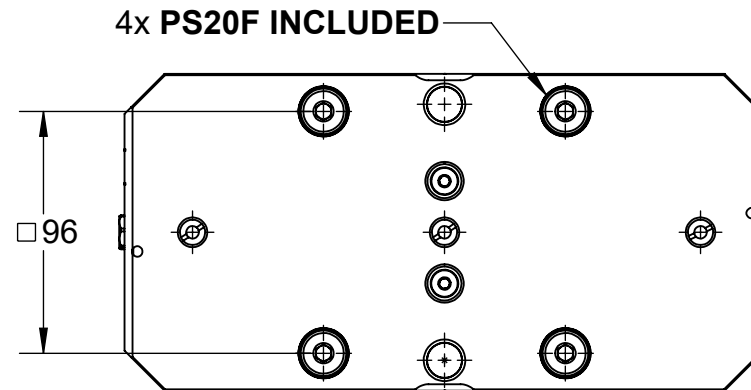
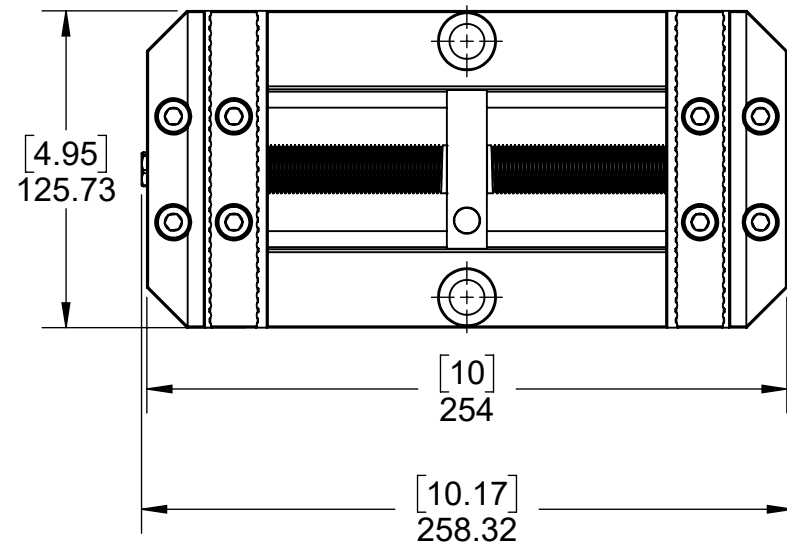
D

D

# R96-V510X

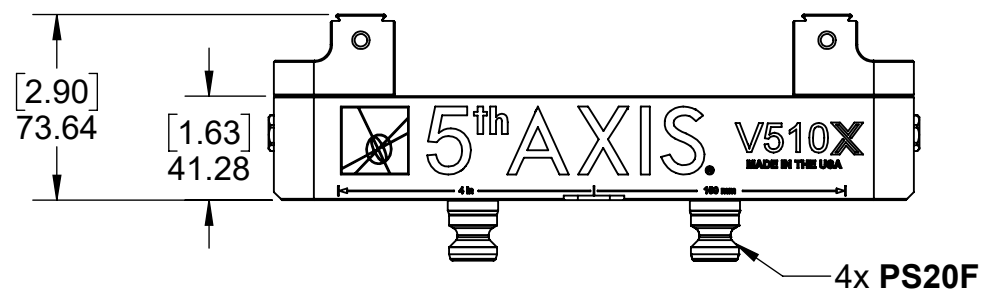
C

C



B

B



ITEM NO.	PART NUMBER	DESCRIPTION	QTY.
1	V510X	SELF-CENTERING VISE	1
2	PS20F	96mm PULL STUD	4
FOR REFERENCE ONLY - NOT FOR RESALE			

A

A

<b>MILLIMETER</b> WWW.5THAXIS.COM 7140 ENGINEER ROAD SAN DIEGO, CA 92111 P (858) 505-0432			
	DESCRIPTION <b>MEDIUM SELF-CENTERING VISE TOP TOOLING</b>		
THIRD ANGLE PROJECTION 	SIZE <b>B</b>	PART NO. <b>R96-V510X</b>	REV <b>B</b>
DO NOT SCALE DRAWING		SCALE 1:3	WEIGHT: 7.20 kg
			SHEET 1 OF 1

8

7

6

5

4

3

2

1