

## SERIES 277

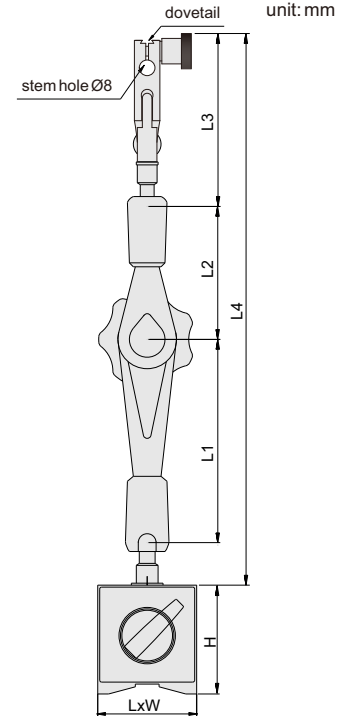
## HYDRAULIC UNIVERSAL MAGNETIC STAND

- ◆ For dial/digital indicators and dial test indicators
- ◆ With fine adjustment and dovetail
- ◆ V-block base
- ◆ Magnetic switch made of metal

### Application



277-080-01



Code	Magnetic force	Base(LxWxH)	L1	L2	L3	L4
277-080-01	80kgf	60x50x55	65	55	79	215
277-080-02	80kgf	60x50x55	125	90	79	315
277-100-01	100kgf	75x50x55	160	125	79	390

