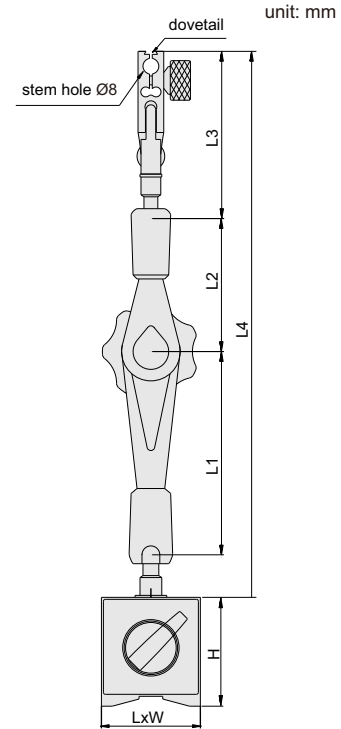


- ◆ For dial/digital indicators and dial test indicators
- ◆ Super strong arm
- ◆ With fine adjustment and dovetail
- ◆ V-block base

Application



278-080-01



INDICATOR

Code	Magnetic force	Base (LxWxH)	L1	L2	L3	L4
278-050-01	50kgf	40x40x40	62	52	79	210
278-080-01	80kgf	60x50x55	103	81	79	285
278-100-01	100kgf	73x50x55	145	95	81	348