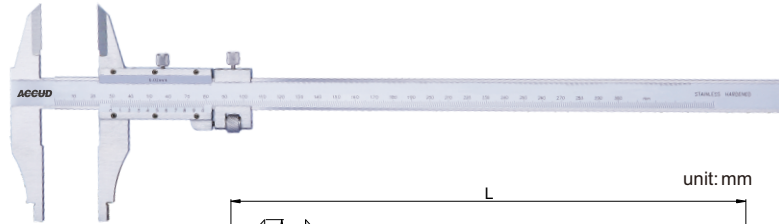




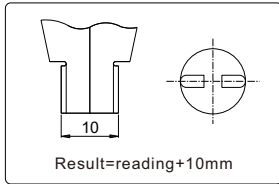
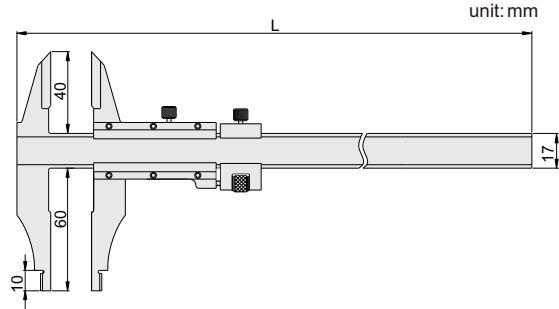
## SERIES 122

## VERNIER CALIPER

- ◆ With fine adjustment
- ◆ Made of stainless steel
- ◆ Satin chrome reading surface



122-012-11



Graduation: 0.02mm

Code	Range	Accuracy	L
122-010-11	0-250mm	±0.03mm	360
122-012-11	0-300mm	±0.03mm	410

\* NEW

Graduation: 0.05mm

Code	Range	Accuracy	L
122-010-13	0-250mm	±0.05mm	360
122-012-13	0-300mm	±0.05mm	410

\* NEW

\* NEW

