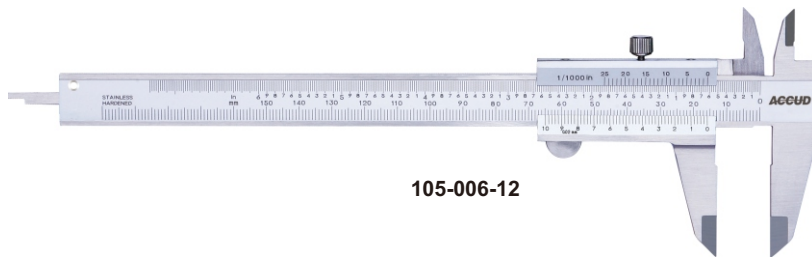




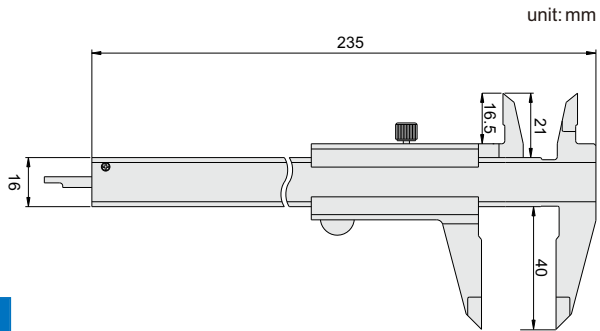
SERIES 105

LEFT HAND VERNIER CALIPER



105-006-12

- ◆ Designed for left handed users
- ◆ Made of stainless steel
- ◆ Satin chrome plated reading surface



Graduation 0.02mm/0.001"

Code	Range	Accuracy
105-006-12	0-150mm/0-6"	±0.03mm

Graduation 0.05mm/1/128"

Code	Range	Accuracy
105-006-14	0-150mm/0-6"	±0.03mm

