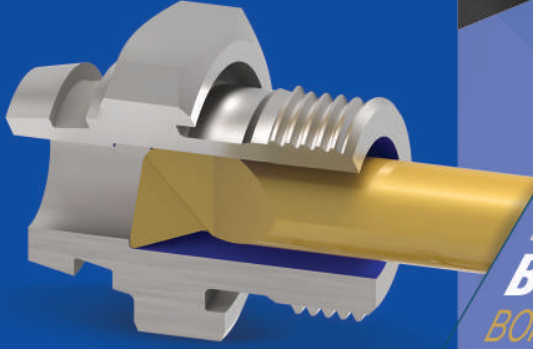


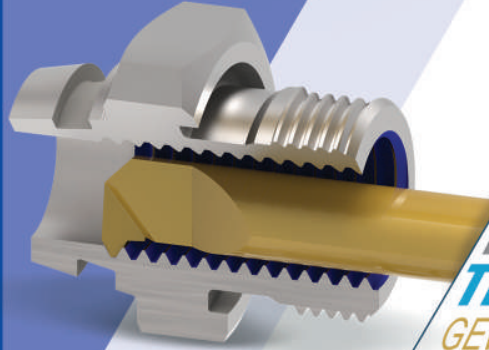
MINI CUT TAKIMLAR

MINI CUT TOOLS
MINI CUT WERKZEUGE



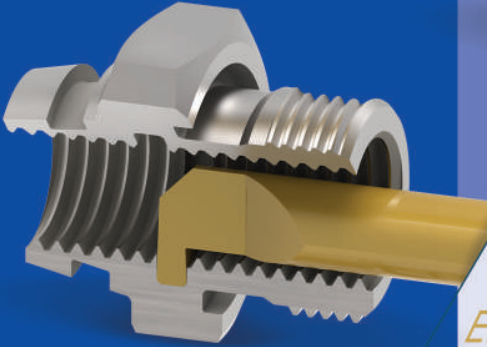
01

DELİK İÇİ TORNALAMA
BORING
BOHREN



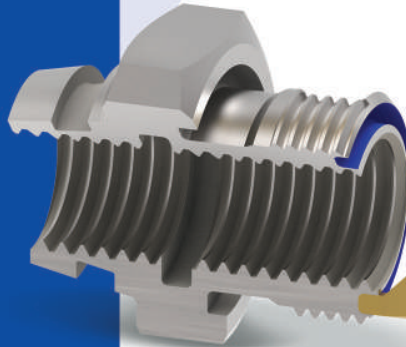
02

DIŞ AÇMA
THREADING
GEWINDE



03

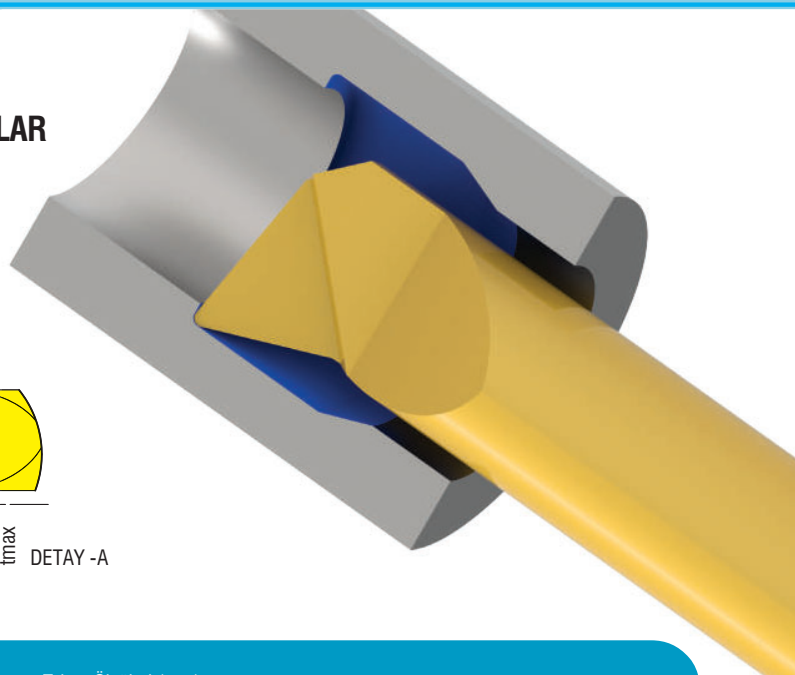
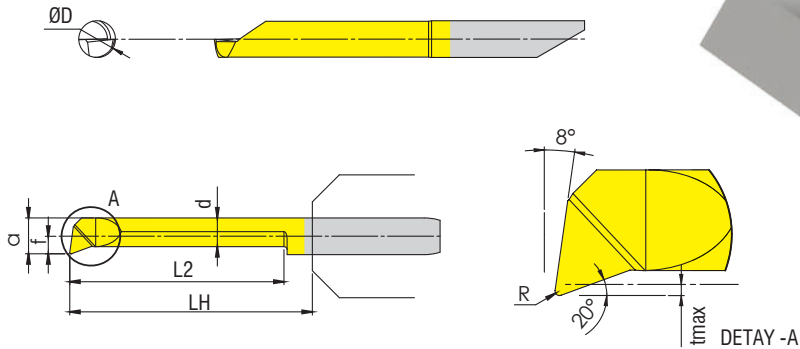
KANAL AÇMA
GROOVING
EINSTECHBOHRUNG



04

YÜZEY KANAL AÇMA
FACE GROOVING
OBERFLÄCHENEINSTECHBOHRUNG

MINI CUT BORING
DELİK İÇİ MINI CUT TAKIMLAR



Ürün Kodu
Product Code
Artikelnummer

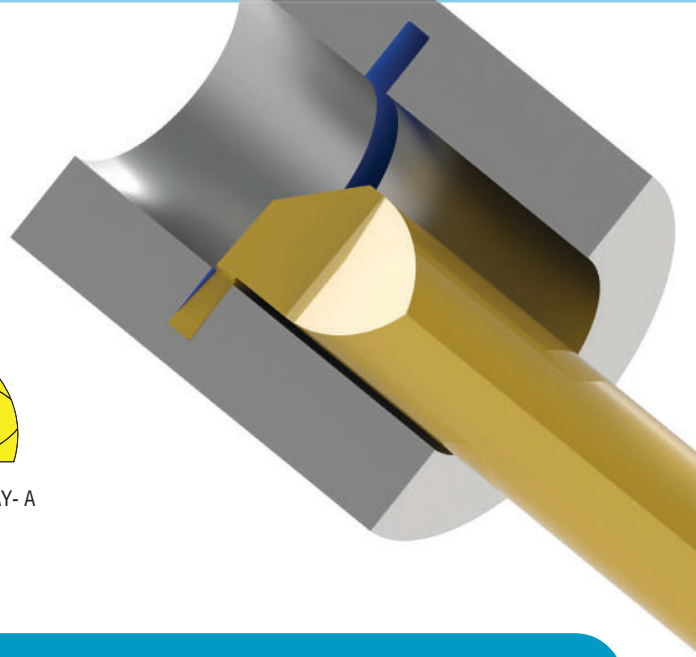
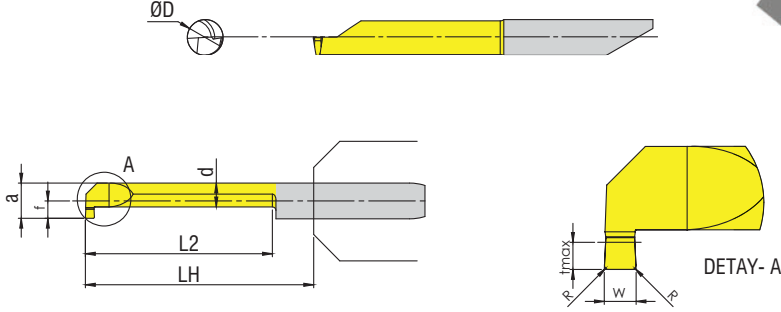
Takım Ölçüleri (mm)
Dimension (mm)
Abmessung (mm)

| | L2 | Ødmin | R | a | d | f | LH | tmax | ØD |
|---------------|-------|-------|------|------|------|------|----|------|----|
| APB04.102.015 | 10.2 | 4.2 | 0.15 | 3.95 | 3.45 | 1.95 | 13 | 0.3 | 4 |
| APB04.152.015 | 15.20 | 4.2 | 0.15 | 3.95 | 3.45 | 1.95 | 18 | 0.3 | 4 |
| APB04.203.015 | 20.30 | 4.2 | 0.15 | 3.95 | 3.45 | 1.95 | 23 | 0.3 | 4 |
| APB04.254.015 | 25.40 | 4.2 | 0.15 | 3.95 | 3.45 | 1.95 | 28 | 0.3 | 4 |
| APB04.305.015 | 30.50 | 4.2 | 0.15 | 3.95 | 3.45 | 1.95 | 33 | 0.3 | 4 |
| APB04.356.015 | 35.60 | 4.2 | 0.15 | 3.95 | 3.45 | 1.95 | 38 | 0.3 | 4 |
| APB05.102.020 | 10.2 | 5.2 | 0.2 | 4.95 | 4.25 | 2.45 | 13 | 0.5 | 5 |
| APB05.152.020 | 15.20 | 5.2 | 0.2 | 4.95 | 4.25 | 2.45 | 18 | 0.5 | 5 |
| APB05.203.020 | 20.30 | 5.2 | 0.2 | 4.95 | 4.25 | 2.45 | 23 | 0.5 | 5 |
| APB05.254.020 | 25.40 | 5.2 | 0.2 | 4.95 | 4.25 | 2.45 | 28 | 0.5 | 5 |
| APB05.305.020 | 30.50 | 5.2 | 0.2 | 4.95 | 4.25 | 2.45 | 33 | 0.5 | 5 |
| APB05.356.020 | 35.60 | 5.2 | 0.2 | 4.95 | 4.25 | 2.45 | 38 | 0.5 | 5 |
| APB05.406.020 | 40.60 | 5.2 | 0.2 | 4.95 | 4.25 | 2.45 | 43 | 0.5 | 5 |
| APB06.102.020 | 10.2 | 6.2 | 0.2 | 5.95 | 5.25 | 2.95 | 13 | 0.5 | 6 |
| APB06.152.020 | 15.20 | 6.2 | 0.2 | 5.95 | 5.25 | 2.95 | 18 | 0.5 | 6 |
| APB06.203.020 | 20.30 | 6.2 | 0.2 | 5.95 | 5.25 | 2.95 | 23 | 0.5 | 6 |
| APB06.254.020 | 25.40 | 6.2 | 0.2 | 5.95 | 5.25 | 2.95 | 28 | 0.5 | 6 |
| APB06.305.020 | 30.50 | 6.2 | 0.2 | 5.95 | 5.25 | 2.95 | 33 | 0.5 | 6 |
| APB06.356.020 | 35.60 | 6.2 | 0.2 | 5.95 | 5.25 | 2.95 | 38 | 0.5 | 6 |
| APB06.406.020 | 40.60 | 6.2 | 0.2 | 5.95 | 5.25 | 2.95 | 43 | 0.5 | 6 |
| APB06.508.020 | 50.80 | 6.2 | 0.2 | 5.95 | 5.25 | 2.95 | 53 | 0.5 | 6 |
| APB07.254.020 | 25.40 | 7.2 | 0.2 | 6.95 | 6.25 | 3.45 | 28 | 0.5 | 7 |
| APB07.305.020 | 30.50 | 7.2 | 0.2 | 6.95 | 6.25 | 3.45 | 33 | 0.5 | 7 |
| APB07.356.020 | 35.60 | 7.2 | 0.2 | 6.95 | 6.25 | 3.45 | 38 | 0.5 | 7 |
| APB07.406.020 | 40.60 | 7.2 | 0.2 | 6.95 | 6.25 | 3.45 | 43 | 0.5 | 7 |
| APB07.508.020 | 50.80 | 7.2 | 0.2 | 6.95 | 6.25 | 3.45 | 53 | 0.5 | 7 |
| APB07.608.020 | 60.80 | 7.2 | 0.2 | 6.95 | 6.25 | 3.45 | 63 | 0.5 | 7 |

Sipariş Örneği/Ordering Example/Bestellbeispiel
1 ad./pcs./stück APB.04.102.015

MINI CUT GROOVING

KANAL AÇMA MİNİ CUT TAKIMLAR



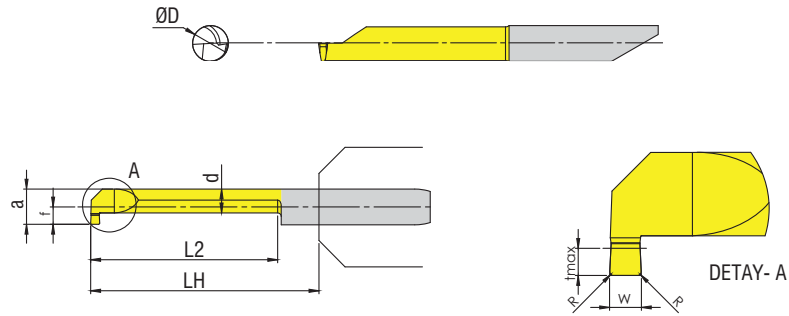
Ürün Kodu
Product Code
Artikelnummer

Takım Ölçüleri (mm)
Dimension (mm)
Abmessung (mm)

| | W | L2 | Ødmin | R | a | d | f | LH | tmax | ØD |
|---------------|------|------|-------|------|------|------|------|----|------|----|
| APG04.080.102 | 0.8 | 10.2 | 4.2 | 0.15 | 3.95 | 2.95 | 1.95 | 13 | 0.8 | 4 |
| APG04.080.152 | 0.8 | 15.2 | 4.2 | 0.15 | 3.95 | 2.95 | 1.95 | 18 | 0.8 | 4 |
| APG04.080.203 | 0.8 | 20.3 | 4.2 | 0.15 | 3.95 | 2.95 | 1.95 | 23 | 0.8 | 4 |
| APG04.080.254 | 0.8 | 25.4 | 4.2 | 0.15 | 3.95 | 2.95 | 1.95 | 28 | 0.8 | 4 |
| APG04.100.102 | 1.0 | 10.2 | 4.2 | 0.2 | 3.95 | 2.95 | 1.95 | 13 | 0.8 | 4 |
| APG04.100.152 | 1.0 | 15.2 | 4.2 | 0.2 | 3.95 | 2.95 | 1.95 | 18 | 0.8 | 4 |
| APG04.100.203 | 1.0 | 20.3 | 4.2 | 0.2 | 3.95 | 2.95 | 1.95 | 23 | 0.8 | 4 |
| APG05.079.102 | 0.79 | 10.2 | 5.2 | 0.2 | 4.95 | 3.75 | 2.45 | 13 | 1.0 | 5 |
| APG05.079.152 | 0.79 | 15.2 | 5.2 | 0.2 | 4.95 | 3.75 | 2.45 | 18 | 1.0 | 5 |
| APG05.079.203 | 0.79 | 20.3 | 5.2 | 0.2 | 4.95 | 3.75 | 2.45 | 23 | 1.0 | 5 |
| APG05.079.254 | 0.79 | 25.4 | 5.2 | 0.2 | 4.95 | 3.75 | 2.45 | 28 | 1.0 | 5 |
| APG05.079.305 | 0.79 | 30.5 | 5.2 | 0.2 | 4.95 | 3.75 | 2.45 | 33 | 1.0 | 5 |
| APG05.079.356 | 0.79 | 35.6 | 5.2 | 0.2 | 4.95 | 3.75 | 2.45 | 38 | 1.0 | 5 |
| APG05.100.102 | 1.0 | 10.2 | 5.2 | 0.2 | 4.95 | 3.75 | 2.45 | 13 | 1.0 | 5 |
| APG05.100.152 | 1.0 | 15.2 | 5.2 | 0.2 | 4.95 | 3.75 | 2.45 | 18 | 1.0 | 5 |
| APG05.100.203 | 1.0 | 20.3 | 5.2 | 0.2 | 4.95 | 3.75 | 2.45 | 23 | 1.0 | 5 |
| APG05.100.254 | 1.0 | 25.4 | 5.2 | 0.2 | 4.95 | 3.75 | 2.45 | 28 | 1.0 | 5 |
| APG05.100.305 | 1.0 | 30.5 | 5.2 | 0.2 | 4.95 | 3.75 | 2.45 | 33 | 1.0 | 5 |
| APG05.100.356 | 1.0 | 35.6 | 5.2 | 0.2 | 4.95 | 3.75 | 2.45 | 38 | 1.0 | 5 |

Sipariş Örneği/Ordering Example/Bestellbeispiel
1 ad./pcs./stück APG04.080.102

MINI CUT GROOVING KANAL AÇMA MINI CUT TAKIMLAR



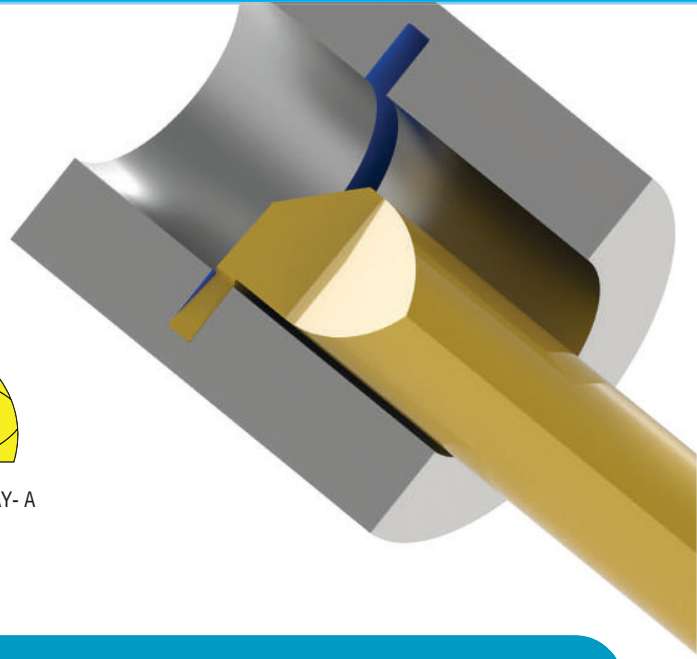
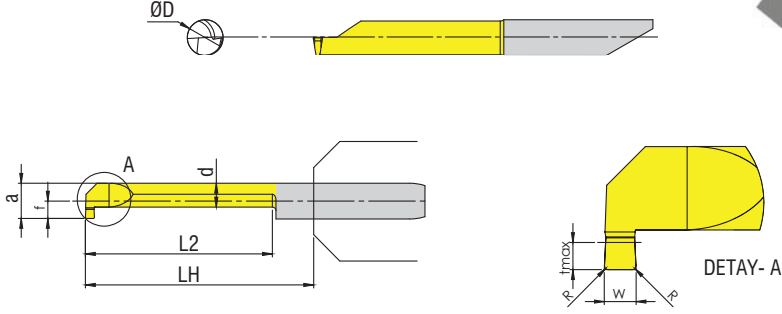
Ürün Kodu
Product Code
Artikelnummer

Takım Ölçüleri (mm)
Dimension (mm)
Abmessung (mm)

| | W | L2 | Ødmin | R | a | d | f | LH | tmax | ØD |
|---------------|------|------|-------|-----|------|------|------|----|------|----|
| APG05.117.102 | 1.17 | 10.2 | 5.2 | 0.2 | 4.95 | 3.75 | 2.45 | 13 | 1.0 | 5 |
| APG05.117.152 | 1.17 | 15.2 | 5.2 | 0.2 | 4.95 | 3.75 | 2.45 | 18 | 1.0 | 5 |
| APG05.117.203 | 1.17 | 20.3 | 5.2 | 0.2 | 4.95 | 3.75 | 2.45 | 23 | 1.0 | 5 |
| APG05.117.254 | 1.17 | 25.4 | 5.2 | 0.2 | 4.95 | 3.75 | 2.45 | 28 | 1.0 | 5 |
| APG05.117.305 | 1.17 | 30.5 | 5.2 | 0.2 | 4.95 | 3.75 | 2.45 | 33 | 1.0 | 5 |
| APG05.117.356 | 1.17 | 35.6 | 5.2 | 0.2 | 4.95 | 3.75 | 2.45 | 38 | 1.0 | 5 |
| APG05.150.102 | 1.5 | 10.2 | 5.2 | 0.2 | 4.95 | 3.75 | 2.45 | 13 | 1.0 | 5 |
| APG05.150.152 | 1.5 | 15.2 | 5.2 | 0.2 | 4.95 | 3.75 | 2.45 | 18 | 1.0 | 5 |
| APG05.150.203 | 1.5 | 20.3 | 5.2 | 0.2 | 4.95 | 3.75 | 2.45 | 23 | 1.0 | 5 |
| APG05.150.254 | 1.5 | 25.4 | 5.2 | 0.2 | 4.95 | 3.75 | 2.45 | 28 | 1.0 | 5 |
| APG05.150.305 | 1.5 | 30.5 | 5.2 | 0.2 | 4.95 | 3.75 | 2.45 | 33 | 1.0 | 5 |
| APG05.150.356 | 1.5 | 35.6 | 5.2 | 0.2 | 4.95 | 3.75 | 2.45 | 38 | 1.0 | 5 |
| APG05.157.102 | 1.57 | 10.2 | 5.2 | 0.2 | 4.95 | 3.75 | 2.45 | 13 | 1.0 | 5 |
| APG05.157.152 | 1.57 | 15.2 | 5.2 | 0.2 | 4.95 | 3.75 | 2.45 | 18 | 1.0 | 5 |
| APG05.157.203 | 1.57 | 20.3 | 5.2 | 0.2 | 4.95 | 3.75 | 2.45 | 23 | 1.0 | 5 |
| APG05.157.254 | 1.57 | 25.4 | 5.2 | 0.2 | 4.95 | 3.75 | 2.45 | 28 | 1.0 | 5 |
| APG05.157.305 | 1.57 | 30.5 | 5.2 | 0.2 | 4.95 | 3.75 | 2.45 | 33 | 1.0 | 5 |

Sipariş Örneği/Ordering Example/Bestellbeispiel
1 ad./pcs./stück APG05.117.102

MINI CUT GROOVING
KANAL AÇMA MİNİ CUT TAKIMLAR



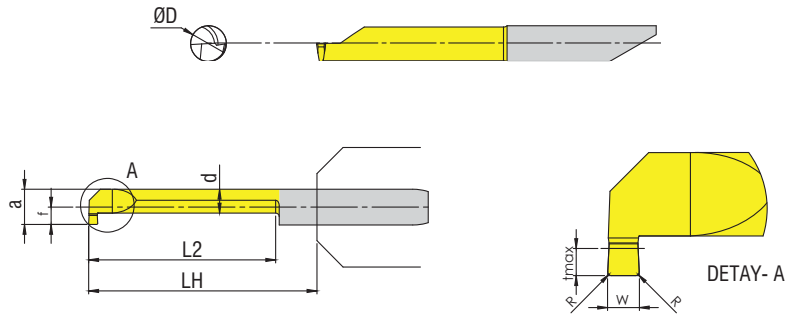
Ürün Kodu
Product Code
Artikelnummer

Takım Ölçüleri (mm)
Dimension (mm)
Abmessung (mm)

| | W | L2 | Ødmin | R | a | d | f | LH | tmax | ØD |
|---------------|------|------|-------|-----|------|------|------|----|------|----|
| APG05.198.102 | 1.98 | 10.2 | 5.2 | 0.2 | 4.95 | 3.75 | 2.45 | 13 | 1.0 | 5 |
| APG05.198.152 | 1.98 | 15.2 | 5.2 | 0.2 | 4.95 | 3.75 | 2.45 | 18 | 1.0 | 5 |
| APG05.198.203 | 1.98 | 20.3 | 5.2 | 0.2 | 4.95 | 3.75 | 2.45 | 23 | 1.0 | 5 |
| APG05.198.254 | 1.98 | 25.4 | 5.2 | 0.2 | 4.95 | 3.75 | 2.45 | 28 | 1.0 | 5 |
| APG05.198.305 | 1.98 | 30.5 | 5.2 | 0.2 | 4.95 | 3.75 | 2.45 | 33 | 1.0 | 5 |
| APG05.200.102 | 2.0 | 10.2 | 5.2 | 0.2 | 4.95 | 3.75 | 2.45 | 13 | 1.0 | 5 |
| APG05.200.152 | 2.0 | 15.2 | 5.2 | 0.2 | 4.95 | 3.75 | 2.45 | 18 | 1.0 | 5 |
| APG05.200.203 | 2.0 | 20.3 | 5.2 | 0.2 | 4.95 | 3.75 | 2.45 | 23 | 1.0 | 5 |
| APG05.200.254 | 2.0 | 25.4 | 5.2 | 0.2 | 4.95 | 3.75 | 2.45 | 28 | 1.0 | 5 |
| APG05.200.305 | 2.0 | 30.5 | 5.2 | 0.2 | 4.95 | 3.75 | 2.45 | 33 | 1.0 | 5 |
| APG06.079.102 | 0.79 | 10.2 | 6.2 | 0.2 | 5.95 | 3.95 | 2.95 | 13 | 1.8 | 6 |
| APG06.079.152 | 0.79 | 15.2 | 6.2 | 0.2 | 5.95 | 3.95 | 2.95 | 18 | 1.8 | 6 |
| APG06.079.203 | 0.79 | 20.3 | 6.2 | 0.2 | 5.95 | 3.95 | 2.95 | 23 | 1.8 | 6 |
| APG06.079.254 | 0.79 | 25.4 | 6.2 | 0.2 | 5.95 | 3.95 | 2.95 | 28 | 1.8 | 6 |
| APG06.079.305 | 0.79 | 30.5 | 6.2 | 0.2 | 5.95 | 3.95 | 2.95 | 33 | 1.8 | 6 |
| APG06.079.356 | 0.79 | 35.6 | 6.2 | 0.2 | 5.95 | 3.95 | 2.95 | 38 | 1.8 | 6 |

Sipariş Örneği/Ordering Example/Bestellbeispiel
1 ad./pcs./stück APG05.198.102

MINI CUT GROOVING KANAL AÇMA MINI CUT TAKIMLAR



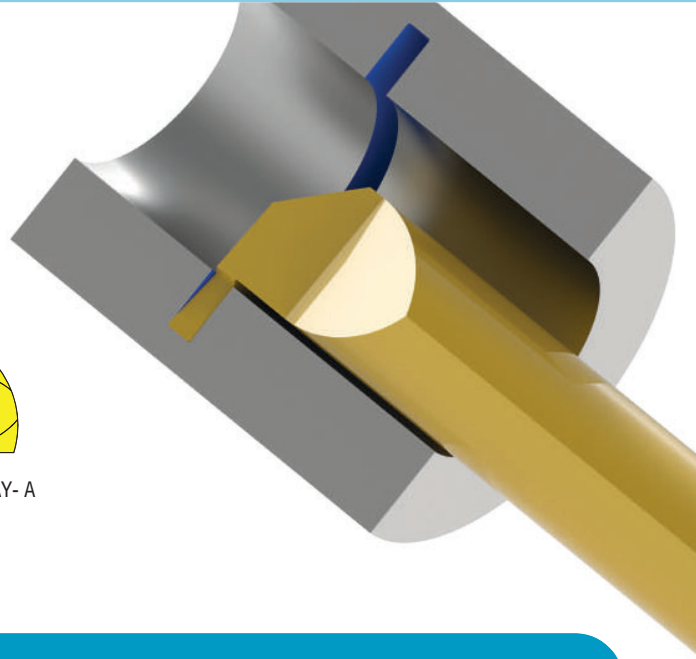
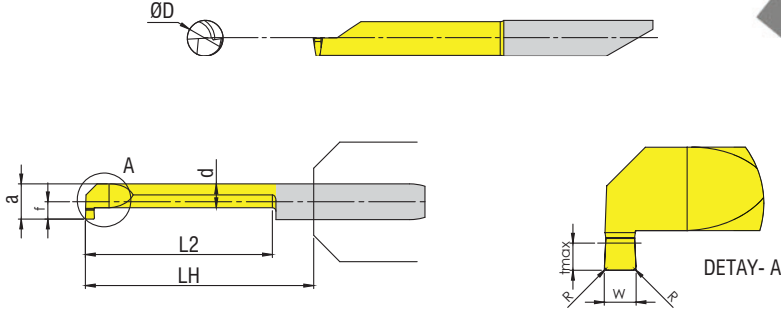
Ürün Kodu
Product Code
Artikelnummer

Takım Ölçüleri (mm)
Dimension (mm)
Abmessung (mm)

| | W | L2 | Ødmin | R | a | d | f | LH | tmax | ØD |
|---------------|------|------|-------|-----|------|------|------|----|------|----|
| APG06.100.102 | 1.0 | 10.2 | 6.2 | 0.2 | 5.95 | 3.95 | 2.95 | 13 | 1.8 | 6 |
| APG06.100.152 | 1.0 | 15.2 | 6.2 | 0.2 | 5.95 | 3.95 | 2.95 | 18 | 1.8 | 6 |
| APG06.100.203 | 1.0 | 20.3 | 6.2 | 0.2 | 5.95 | 3.95 | 2.95 | 23 | 1.8 | 6 |
| APG06.100.254 | 1.0 | 25.4 | 6.2 | 0.2 | 5.95 | 3.95 | 2.95 | 28 | 1.8 | 6 |
| APG06.100.305 | 1.0 | 30.5 | 6.2 | 0.2 | 5.95 | 3.95 | 2.95 | 33 | 1.8 | 6 |
| APG06.100.356 | 1.0 | 35.6 | 6.2 | 0.2 | 5.95 | 3.95 | 2.95 | 38 | 1.8 | 6 |
| APG06.100.406 | 1.0 | 40.6 | 6.2 | 0.2 | 5.95 | 3.95 | 2.95 | 43 | 1.8 | 6 |
| APG06.117.102 | 1.17 | 10.2 | 6.2 | 0.2 | 5.95 | 3.95 | 2.95 | 13 | 1.8 | 6 |
| APG06.117.152 | 1.17 | 15.2 | 6.2 | 0.2 | 5.95 | 3.95 | 2.95 | 18 | 1.8 | 6 |
| APG06.117.203 | 1.17 | 20.3 | 6.2 | 0.2 | 5.95 | 3.95 | 2.95 | 23 | 1.8 | 6 |
| APG06.117.254 | 1.17 | 25.4 | 6.2 | 0.2 | 5.95 | 3.95 | 2.95 | 28 | 1.8 | 6 |
| APG06.117.305 | 1.17 | 30.5 | 6.2 | 0.2 | 5.95 | 3.95 | 2.95 | 33 | 1.8 | 6 |
| APG06.117.356 | 1.17 | 35.6 | 6.2 | 0.2 | 5.95 | 3.95 | 2.95 | 38 | 1.8 | 6 |
| APG06.117.406 | 1.17 | 40.6 | 6.2 | 0.2 | 5.95 | 3.95 | 2.95 | 43 | 1.8 | 6 |
| APG06.150.102 | 1.5 | 10.2 | 6.2 | 0.2 | 5.95 | 3.95 | 2.95 | 13 | 1.8 | 6 |
| APG06.150.152 | 1.5 | 15.2 | 6.2 | 0.2 | 5.95 | 3.95 | 2.95 | 18 | 1.8 | 6 |
| APG06.150.203 | 1.5 | 20.3 | 6.2 | 0.2 | 5.95 | 3.95 | 2.95 | 23 | 1.8 | 6 |
| APG06.150.254 | 1.5 | 25.4 | 6.2 | 0.2 | 5.95 | 3.95 | 2.95 | 28 | 1.8 | 6 |
| APG06.150.305 | 1.5 | 30.5 | 6.2 | 0.2 | 5.95 | 3.95 | 2.95 | 33 | 1.8 | 6 |
| APG06.150.356 | 1.5 | 35.6 | 6.2 | 0.2 | 5.95 | 3.95 | 2.95 | 38 | 1.8 | 6 |

Sipariş Örneği/Ordering Example/Bestellbeispiel
1 ad./pcs./stück APG06.100.102

MINI CUT GROOVING
KANAL AÇMA MİNİ CUT TAKIMLAR



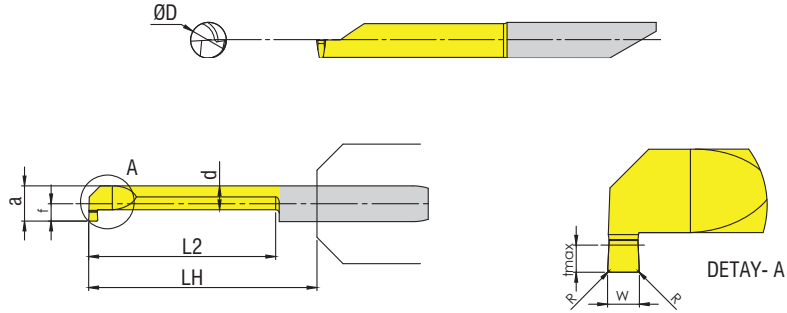
Ürün Kodu
Product Code
Artikelnummer

Takım Ölçüleri (mm)
Dimension (mm)
Abmessung (mm)

| | W | L2 | Ødmin | R | a | d | f | LH | tmax | ØD |
|---------------|------|------|-------|-----|------|------|------|----|------|----|
| APG06.157.102 | 1.57 | 10.2 | 6.2 | 0.2 | 5.95 | 3.95 | 2.95 | 13 | 1.8 | 6 |
| APG06.157.152 | 1.57 | 15.2 | 6.2 | 0.2 | 5.95 | 3.95 | 2.95 | 18 | 1.8 | 6 |
| APG06.157.203 | 1.57 | 20.3 | 6.2 | 0.2 | 5.95 | 3.95 | 2.95 | 23 | 1.8 | 6 |
| APG06.157.254 | 1.57 | 25.4 | 6.2 | 0.2 | 5.95 | 3.95 | 2.95 | 28 | 1.8 | 6 |
| APG06.157.305 | 1.57 | 30.5 | 6.2 | 0.2 | 5.95 | 3.95 | 2.95 | 33 | 1.8 | 6 |
| APG06.157.356 | 1.57 | 35.6 | 6.2 | 0.2 | 5.95 | 3.95 | 2.95 | 38 | 1.8 | 6 |
| APG06.157.406 | 1.57 | 40.6 | 6.2 | 0.2 | 5.95 | 3.95 | 2.95 | 43 | 1.8 | 6 |
| APG06.198.102 | 1.98 | 10.2 | 6.2 | 0.2 | 5.95 | 3.95 | 2.95 | 13 | 1.8 | 6 |
| APG06.198.152 | 1.98 | 15.2 | 6.2 | 0.2 | 5.95 | 3.95 | 2.95 | 18 | 1.8 | 6 |
| APG06.198.203 | 1.98 | 20.3 | 6.2 | 0.2 | 5.95 | 3.95 | 2.95 | 23 | 1.8 | 6 |
| APG06.198.254 | 1.98 | 25.4 | 6.2 | 0.2 | 5.95 | 3.95 | 2.95 | 28 | 1.8 | 6 |
| APG06.198.305 | 1.98 | 30.5 | 6.2 | 0.2 | 5.95 | 3.95 | 2.95 | 33 | 1.8 | 6 |
| APG06.198.356 | 1.98 | 35.6 | 6.2 | 0.2 | 5.95 | 3.95 | 2.95 | 38 | 1.8 | 6 |
| APG06.198.406 | 1.98 | 40.6 | 6.2 | 0.2 | 5.95 | 3.95 | 2.95 | 43 | 1.8 | 6 |
| APG06.200.102 | 2.0 | 10.2 | 6.2 | 0.2 | 5.95 | 3.95 | 2.95 | 13 | 1.8 | 6 |
| APG06.200.152 | 2.0 | 15.2 | 6.2 | 0.2 | 5.95 | 3.95 | 2.95 | 18 | 1.8 | 6 |
| APG06.200.203 | 2.0 | 20.3 | 6.2 | 0.2 | 5.95 | 3.95 | 2.95 | 23 | 1.8 | 6 |
| APG06.200.254 | 2.0 | 25.4 | 6.2 | 0.2 | 5.95 | 3.95 | 2.95 | 28 | 1.8 | 6 |
| APG06.200.305 | 2.0 | 30.5 | 6.2 | 0.2 | 5.95 | 3.95 | 2.95 | 33 | 1.8 | 6 |
| APG06.200.356 | 2.0 | 35.6 | 6.2 | 0.2 | 5.95 | 3.95 | 2.95 | 38 | 1.8 | 6 |

Sipariş Örneği/Ordering Example/Bestellbeispiel
1 ad./pcs./stück APG06.157.102

MINI CUT GROOVING KANAL AÇMA MINI CUT TAKIMLAR



Ürün Kodu
Product Code
Artikelnummer

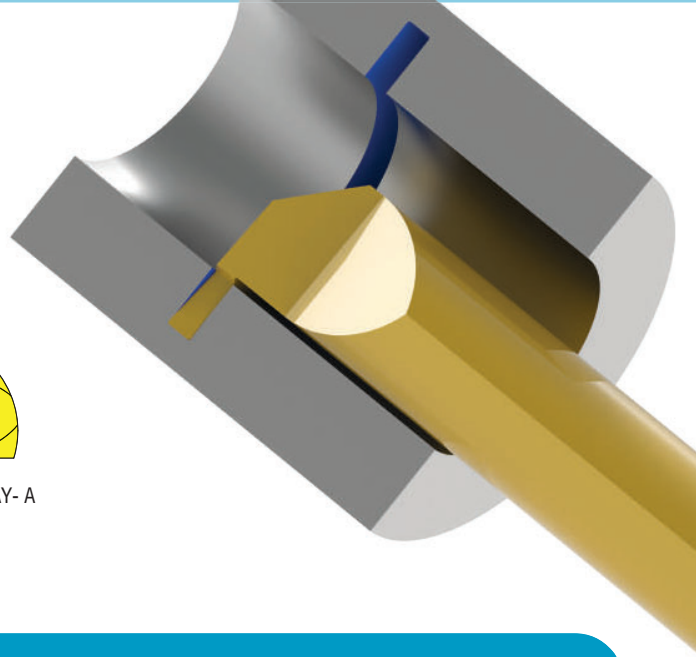
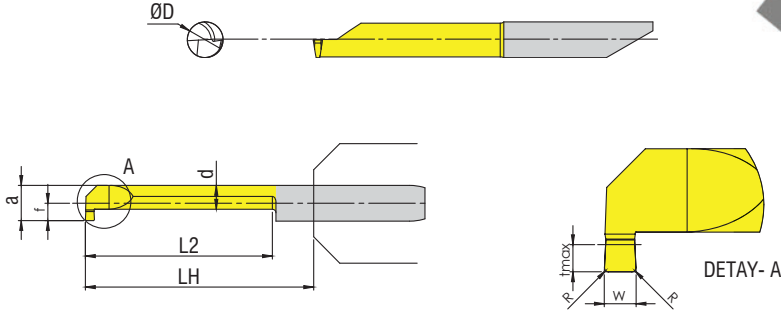
Takım Ölçüleri (mm)
Dimension (mm)
Abmessung (mm)

| | W | L2 | Ødmin | R | a | d | f | LH | tmax | ØD |
|---------------|------|------|-------|-----|------|------|------|----|------|----|
| APG07.079.102 | 0.79 | 10.2 | 7.2 | 0.2 | 6.95 | 4.25 | 3.45 | 13 | 2.5 | 7 |
| APG07.079.152 | 0.79 | 15.2 | 7.2 | 0.2 | 6.95 | 4.25 | 3.45 | 18 | 2.5 | 7 |
| APG07.079.203 | 0.79 | 20.3 | 7.2 | 0.2 | 6.95 | 4.25 | 3.45 | 23 | 2.5 | 7 |
| APG07.079.254 | 0.79 | 25.4 | 7.2 | 0.2 | 6.95 | 4.25 | 3.45 | 28 | 2.5 | 7 |
| APG07.079.305 | 0.79 | 30.5 | 7.2 | 0.2 | 6.95 | 4.25 | 3.45 | 33 | 2.5 | 7 |
| APG07.079.356 | 0.79 | 35.6 | 7.2 | 0.2 | 6.95 | 4.25 | 3.45 | 38 | 2.5 | 7 |
| APG07.079.406 | 0.79 | 40.6 | 7.2 | 0.2 | 6.95 | 4.25 | 3.45 | 43 | 2.5 | 7 |
| APG07.100.102 | 1.0 | 10.2 | 7.2 | 0.2 | 6.95 | 4.25 | 3.45 | 13 | 2.5 | 7 |
| APG07.100.152 | 1.0 | 15.2 | 7.2 | 0.2 | 6.95 | 4.25 | 3.45 | 18 | 2.5 | 7 |
| APG07.100.203 | 1.0 | 20.3 | 7.2 | 0.2 | 6.95 | 4.25 | 3.45 | 23 | 2.5 | 7 |
| APG07.100.254 | 1.0 | 25.4 | 7.2 | 0.2 | 6.95 | 4.25 | 3.45 | 28 | 2.5 | 7 |
| APG07.100.305 | 1.0 | 30.5 | 7.2 | 0.2 | 6.95 | 4.25 | 3.45 | 33 | 2.5 | 7 |
| APG07.100.356 | 1.0 | 35.6 | 7.2 | 0.2 | 6.95 | 4.25 | 3.45 | 38 | 2.5 | 7 |
| APG07.100.406 | 1.0 | 40.6 | 7.2 | 0.2 | 6.95 | 4.25 | 3.45 | 43 | 2.5 | 7 |
| APG07.117.102 | 1.17 | 10.2 | 7.2 | 0.2 | 6.95 | 4.25 | 3.45 | 13 | 2.5 | 7 |
| APG07.117.152 | 1.17 | 15.2 | 7.2 | 0.2 | 6.95 | 4.25 | 3.45 | 18 | 2.5 | 7 |
| APG07.117.203 | 1.17 | 20.3 | 7.2 | 0.2 | 6.95 | 4.25 | 3.45 | 23 | 2.5 | 7 |
| APG07.117.254 | 1.17 | 25.4 | 7.2 | 0.2 | 6.95 | 4.25 | 3.45 | 28 | 2.5 | 7 |
| APG07.117.305 | 1.17 | 30.5 | 7.2 | 0.2 | 6.95 | 4.25 | 3.45 | 33 | 2.5 | 7 |
| APG07.117.356 | 1.17 | 35.6 | 7.2 | 0.2 | 6.95 | 4.25 | 3.45 | 38 | 2.5 | 7 |
| APG07.117.406 | 1.17 | 40.6 | 7.2 | 0.2 | 6.95 | 4.25 | 3.45 | 43 | 2.5 | 7 |

Sipariş Örneği/Ordering Example/Bestellbeispiel
1 ad./pcs./stück APG07.079.102

MINI CUT GROOVING

KANAL AÇMA MİNİ CUT TAKIMLAR



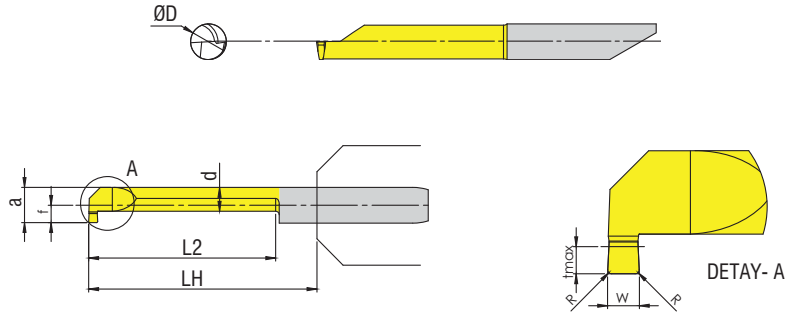
Ürün Kodu
Product Code
Artikelnummer

Takım Ölçüleri (mm)
Dimension (mm)
Abmessung (mm)

| | W | L2 | Ødmin | R | a | d | f | LH | tmax | ØD |
|---------------|------|------|-------|-----|------|------|------|----|------|----|
| APG07.150.102 | 1.5 | 10,2 | 7.2 | 0.2 | 6.95 | 4.25 | 3.45 | 13 | 2.5 | 7 |
| APG07.150.152 | 1.5 | 15.2 | 7.2 | 0.2 | 6.95 | 4.25 | 3.45 | 18 | 2.5 | 7 |
| APG07.150.203 | 1.5 | 20.3 | 7.2 | 0.2 | 6.95 | 4.25 | 3.45 | 23 | 2.5 | 7 |
| APG07.150.254 | 1.5 | 25.4 | 7.2 | 0.2 | 6.95 | 4.25 | 3.45 | 28 | 2.5 | 7 |
| APG07.150.305 | 1.5 | 30.5 | 7.2 | 0.2 | 6.95 | 4.25 | 3.45 | 33 | 2.5 | 7 |
| APG07.150.356 | 1.5 | 35.6 | 7.2 | 0.2 | 6.95 | 4.25 | 3.45 | 38 | 2.5 | 7 |
| APG07.150.406 | 1.5 | 40,6 | 7.2 | 0.2 | 6.95 | 4.25 | 3.45 | 43 | 2.5 | 7 |
| APG07.157.102 | 1.57 | 10,2 | 7.2 | 0.2 | 6.95 | 4.25 | 3.45 | 13 | 2.5 | 7 |
| APG07.157.152 | 1.57 | 15.2 | 7.2 | 0.2 | 6.95 | 4.25 | 3.45 | 18 | 2.5 | 7 |
| APG07.157.203 | 1.57 | 20.3 | 7.2 | 0.2 | 6.95 | 4.25 | 3.45 | 23 | 2.5 | 7 |
| APG07.157.254 | 1.57 | 25.4 | 7.2 | 0.2 | 6.95 | 4.25 | 3.45 | 28 | 2.5 | 7 |
| APG07.157.305 | 1.57 | 30.5 | 7.2 | 0.2 | 6.95 | 4.25 | 3.45 | 33 | 2.5 | 7 |
| APG07.157.356 | 1.57 | 35.6 | 7.2 | 0.2 | 6.95 | 4.25 | 3.45 | 38 | 2.5 | 7 |
| APG07.157.406 | 1.57 | 40,6 | 7.2 | 0.2 | 6.95 | 4.25 | 3.45 | 43 | 2.5 | 7 |
| APG07.198.102 | 1.98 | 10,2 | 7.2 | 0.2 | 6.95 | 4.25 | 3.45 | 13 | 2.5 | 7 |
| APG07.198.152 | 1.98 | 15.2 | 7.2 | 0.2 | 6.95 | 4.25 | 3.45 | 18 | 2.5 | 7 |
| APG07.198.203 | 1.98 | 20.3 | 7.2 | 0.2 | 6.95 | 4.25 | 3.45 | 23 | 2.5 | 7 |
| APG07.198.254 | 1.98 | 25.4 | 7.2 | 0.2 | 6.95 | 4.25 | 3.45 | 28 | 2.5 | 7 |
| APG07.198.305 | 1.98 | 30.5 | 7.2 | 0.2 | 6.95 | 4.25 | 3.45 | 33 | 2.5 | 7 |
| APG07.198.356 | 1.98 | 35.6 | 7.2 | 0.2 | 6.95 | 4.25 | 3.45 | 38 | 2.5 | 7 |

Sipariş Örneği/Ordering Example/Bestellbeispiel
1 ad./pcs./stück APG07.117.102

MINI CUT GROOVING KANAL AÇMA MINI CUT TAKIMLAR



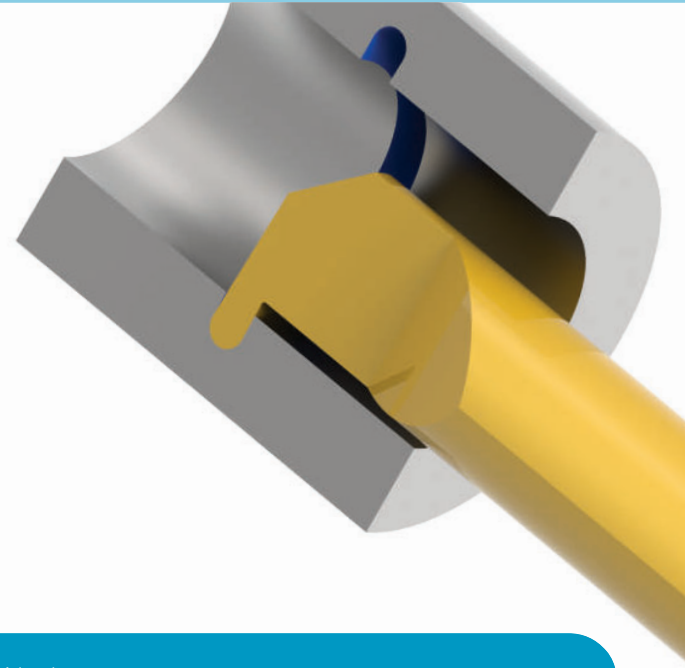
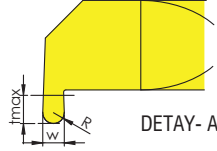
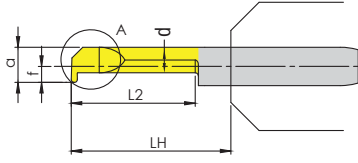
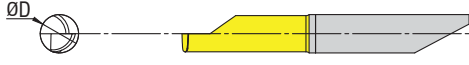
Ürün Kodu
Product Code
Artikelnummer

Takım Ölçüleri (mm)
Dimension (mm)
Abmessung (mm)

| | W | L2 | Ødmin | R | a | d | f | LH | tmax | ØD |
|---------------|-----|------|-------|-----|------|------|------|------|------|----|
| APG07.200.102 | 2.0 | 10.2 | 7.2 | 0.2 | 6.95 | 4.25 | 3.45 | 13 | 2.5 | 7 |
| APG07.200.152 | 2.0 | 15.2 | 7.2 | 0.2 | 6.95 | 4.25 | 3.45 | 18 | 2.5 | 7 |
| APG07.200.203 | 2.0 | 20.3 | 7.2 | 0.2 | 6.95 | 4.25 | 3.45 | 23 | 2.5 | 7 |
| APG07.200.254 | 2.0 | 25.4 | 7.2 | 0.2 | 6.95 | 4.25 | 3.45 | 28 | 2.5 | 7 |
| APG07.200.305 | 2.0 | 30.5 | 7.2 | 0.2 | 6.95 | 4.25 | 3.45 | 33 | 2.5 | 7 |
| APG07.200.356 | 2.0 | 35.6 | 7.2 | 0.2 | 6.95 | 4.25 | 3.45 | 38 | 2.5 | 7 |
| APG10.100.305 | 1.0 | 30.5 | 10.5 | 0.2 | 9.95 | 5.45 | 4.95 | 33.0 | 4.0 | 10 |
| APG10.100.508 | 1.0 | 50.8 | 10.5 | 0.2 | 9.95 | 5.45 | 4.95 | 53.0 | 4.0 | 10 |
| APG10.200.305 | 2.0 | 30.5 | 10.5 | 0.2 | 9.95 | 5.45 | 4.95 | 33.0 | 4.0 | 10 |
| APG10.200.508 | 2.0 | 50.8 | 10.5 | 0.2 | 9.95 | 5.45 | 4.95 | 53.0 | 4.0 | 10 |
| APG10.300.305 | 3.0 | 30.5 | 10.5 | 0.2 | 9.95 | 5.45 | 4.95 | 33.0 | 4.0 | 10 |
| APG10.300.508 | 3.0 | 50.8 | 10.5 | 0.2 | 9.95 | 5.45 | 4.95 | 53.0 | 4.0 | 10 |

Sipariş Örneği/Ordering Example/Bestellbeispiel
1 ad./pcs./stück APG07.200.102

MINI CUT GROOVING
KANAL AÇMA MİNİ CUT TAKIMLAR



Ürün Kodu
Product Code
Artikelnummer

Takım Ölçüleri (mm)
Dimension (mm)
Abmessung (mm)

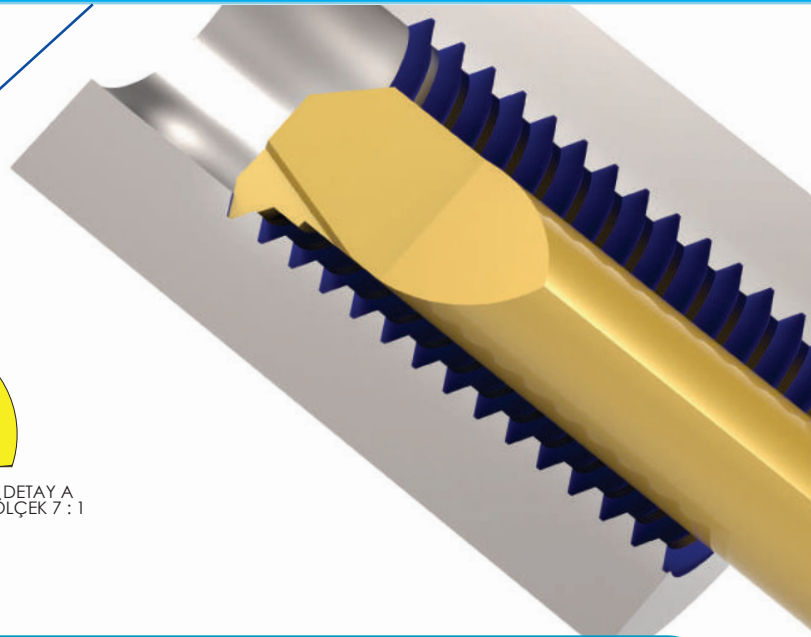
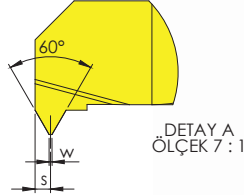
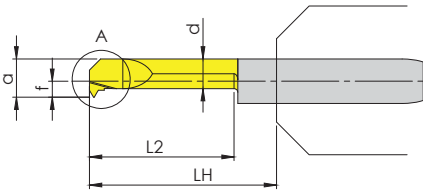
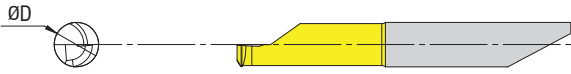
| | W | L2 | Ødmin | R | a | d | f | LH | tmax | ØD |
|----------------------|-------|------|-------|-------|------|------|------|------|------|----|
| APG04.100.152.R050 | 1.0 | 15.2 | 4.2 | 0.5 | 3.95 | 2.95 | 1.95 | 18.0 | 0.8 | 4 |
| APG04.117.152.R0585 | 1.17 | 15.2 | 4.2 | 0.585 | 3.95 | 2.95 | 1.95 | 18.0 | 0.8 | 4 |
| APG05.100.203.R050 | 1.0 | 20.3 | 5.2 | 0.5 | 4.95 | 3.75 | 2.45 | 23.0 | 1.0 | 5 |
| APG05.117.203.R0585 | 1.17 | 20.3 | 5.2 | 0.585 | 4.95 | 3.75 | 2.45 | 23.0 | 1.0 | 5 |
| APG05.150.203.R075 | 1.5 | 20.3 | 5.2 | 0.75 | 4.95 | 3.75 | 2.45 | 23.0 | 1.0 | 5 |
| APG05.1574.203.R0787 | 1.574 | 20.3 | 5.2 | 0.787 | 4.95 | 3.75 | 2.45 | 23.0 | 1.0 | 5 |
| APG05.1626.203.R0813 | 1.626 | 20.3 | 5.2 | 0.813 | 4.95 | 3.75 | 2.45 | 23.0 | 1.0 | 5 |
| APG05.198.203.R099 | 1.98 | 20.3 | 5.2 | 0.99 | 4.95 | 3.75 | 2.45 | 23.0 | 1.0 | 5 |
| APG05.200.203.R100 | 2.0 | 20.3 | 5.2 | 1.0 | 4.95 | 3.75 | 2.45 | 23.0 | 1.0 | 5 |
| APG06.100.254.R050 | 1.0 | 25.4 | 6.2 | 0.5 | 5.95 | 3.95 | 2.95 | 28.0 | 1.8 | 6 |
| APG06.117.254.R0585 | 1.17 | 25.4 | 6.2 | 0.585 | 5.95 | 3.95 | 2.95 | 28.0 | 1.8 | 6 |
| APG06.150.254.R075 | 1.5 | 25.4 | 6.2 | 0.75 | 5.95 | 3.95 | 2.95 | 28.0 | 1.8 | 6 |
| APG06.1574.254.R0787 | 1.574 | 25.4 | 6.2 | 0.787 | 5.95 | 3.95 | 2.95 | 28.0 | 1.8 | 6 |
| APG06.1626.254.R0813 | 1.626 | 25.4 | 6.2 | 0.813 | 5.95 | 3.95 | 2.95 | 28.0 | 1.8 | 6 |
| APG06.198.254.R099 | 1.98 | 25.4 | 6.2 | 0.99 | 5.95 | 3.95 | 2.95 | 28.0 | 1.8 | 6 |
| APG06.200.203.R100 | 2.0 | 20.3 | 6.2 | 1.0 | 5.95 | 3.95 | 2.95 | 23.0 | 1.8 | 6 |
| APG06.200.254.R100 | 2.0 | 25.4 | 6.2 | 1.0 | 5.95 | 3.95 | 2.95 | 28.0 | 1.8 | 6 |
| APG07.100.305.R050 | 1.0 | 30.5 | 7.2 | 0.5 | 6.95 | 4.25 | 3.45 | 33.0 | 2.5 | 7 |
| APG07.117.305.R0585 | 1.17 | 30.5 | 7.2 | 0.585 | 6.95 | 4.25 | 3.45 | 33.0 | 2.5 | 7 |
| APG07.150.305.R075 | 1.5 | 30.5 | 7.2 | 0.75 | 6.95 | 4.25 | 3.45 | 33.0 | 2.5 | 7 |
| APG07.1574.305.R0787 | 1.574 | 30.5 | 7.2 | 0.787 | 6.95 | 4.25 | 3.45 | 33.0 | 2.5 | 7 |
| APG07.1626.305.R0813 | 1.626 | 30.5 | 7.2 | 0.813 | 6.95 | 4.25 | 3.45 | 33.0 | 2.5 | 7 |
| APG07.198.305.R099 | 1.98 | 30.5 | 7.2 | 0.99 | 6.95 | 4.25 | 3.45 | 33.0 | 2.5 | 7 |
| APG07.200.305.R100 | 2.0 | 30.5 | 7.2 | 1.0 | 6.95 | 4.25 | 3.45 | 33.0 | 2.5 | 7 |

Sipariş Örneği/Ordering Example/Bestellbeispiel
1 ad./pcs./stück APG04.100.152.R050



MINI CUT THREADING

DİŞ ÇEKME MİNİ CUT TAKIMLAR



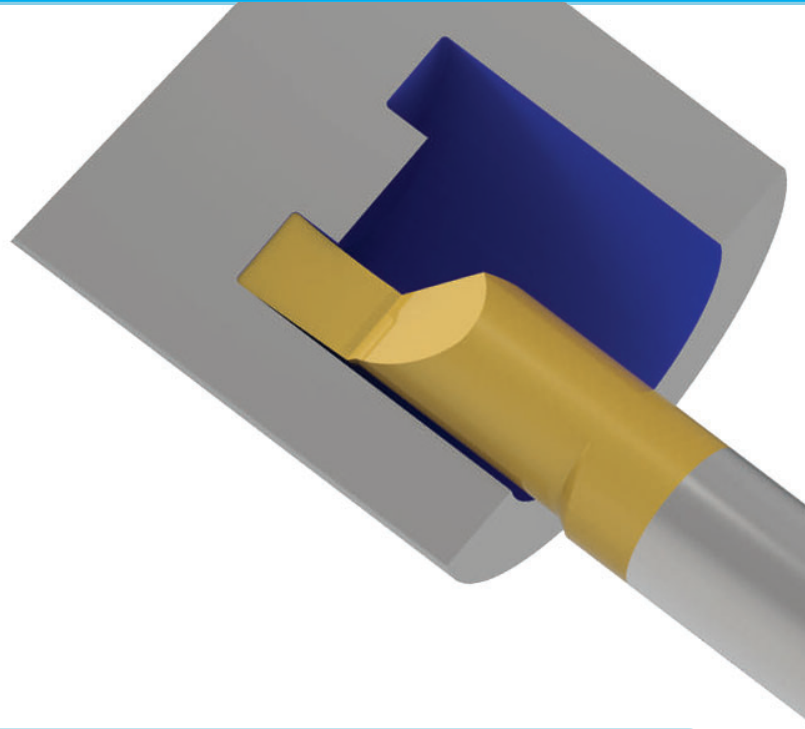
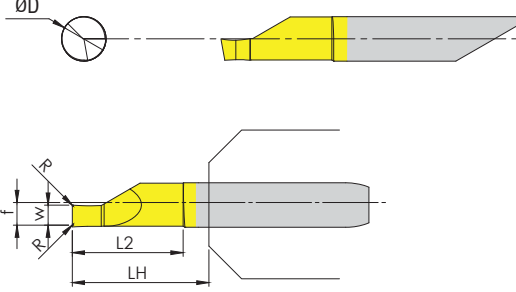
Ürün Kodu
Product Code
Artikelnummer

Takım Ölçüleri (mm)
Dimension (mm)
Abmessung (mm)

| | PITCH | | L2 | ØDmin | a | d | f | LH | S | tmax | w | ØD |
|----------------|-------|------|------|-------|------|------|------|------|------|------|------|----|
| | min | max | | | | | | | | | | |
| APT.04.152.080 | 0.8 | 1.0 | 15.2 | 4.2 | 3.65 | 2.7 | 1.95 | 18.0 | 0.45 | 0.46 | 0.1 | 4 |
| APT.04.152.050 | 0.5 | 0.7 | 15.2 | 4.2 | 3.95 | 2.95 | 1.95 | 18.0 | 0.35 | 0.4 | 0.06 | 4 |
| APT.05.152.100 | 1.0 | 1.25 | 15.2 | 4.8 | 4.55 | 3.55 | 2.25 | 18.0 | 0.55 | 0.7 | 0.12 | 5 |
| APT.05.203.100 | 1.0 | 1.25 | 20.3 | 4.8 | 4.55 | 3.55 | 2.25 | 23.0 | 0.55 | 0.7 | 0.12 | 5 |
| APT.05.254.100 | 1.0 | 1.25 | 25.4 | 4.8 | 4.55 | 3.55 | 2.25 | 28.0 | 0.55 | 0.7 | 0.12 | 5 |
| APT.05.152.075 | 0.75 | 1.0 | 15.2 | 5.2 | 4.85 | 3.65 | 2.40 | 18.0 | 0.45 | 0.57 | 0.09 | 5 |
| APT.05.152.050 | 0.5 | 0.75 | 15.2 | 5.2 | 4.95 | 3.75 | 2.45 | 18.0 | 0.35 | 0.43 | 0.06 | 5 |
| APT.06.152.100 | 1.0 | 1.25 | 15.2 | 6.2 | 5.95 | 3.95 | 2.95 | 18.0 | 0.55 | 0.7 | 0.12 | 6 |
| APT.06.152.125 | 1.25 | 1.5 | 15.2 | 6.2 | 5.95 | 3.95 | 2.95 | 18.0 | 0.75 | 0.84 | 0.16 | 6 |
| APT.06.203.125 | 1.25 | 1.5 | 20.3 | 6.2 | 5.95 | 3.95 | 2.95 | 23.0 | 0.75 | 0.84 | 0.16 | 6 |
| APT.06.254.125 | 1.25 | 1.5 | 25.4 | 6.2 | 5.95 | 3.95 | 2.95 | 28.0 | 0.75 | 0.84 | 0.16 | 6 |
| APT.06.152.150 | 1.5 | 1.75 | 15.2 | 6.2 | 5.95 | 3.95 | 2.95 | 18.0 | 0.8 | 0.98 | 0.18 | 6 |
| APT.06.203.150 | 1.5 | 1.75 | 20.3 | 6.2 | 5.95 | 3.95 | 2.95 | 23.0 | 0.8 | 0.98 | 0.18 | 6 |
| APT.06.254.150 | 1.5 | 1.75 | 25.4 | 6.2 | 5.95 | 3.95 | 2.95 | 28.0 | 0.8 | 0.98 | 0.18 | 6 |

Sipariş Örneği/Ordering Example/Bestellbeispiel
1 ad./pcs./stück APT.04.152.080

MINI CUT FACE GROOVING
ALIN KANAL AÇMA MİNİ CUT TAKIMLAR



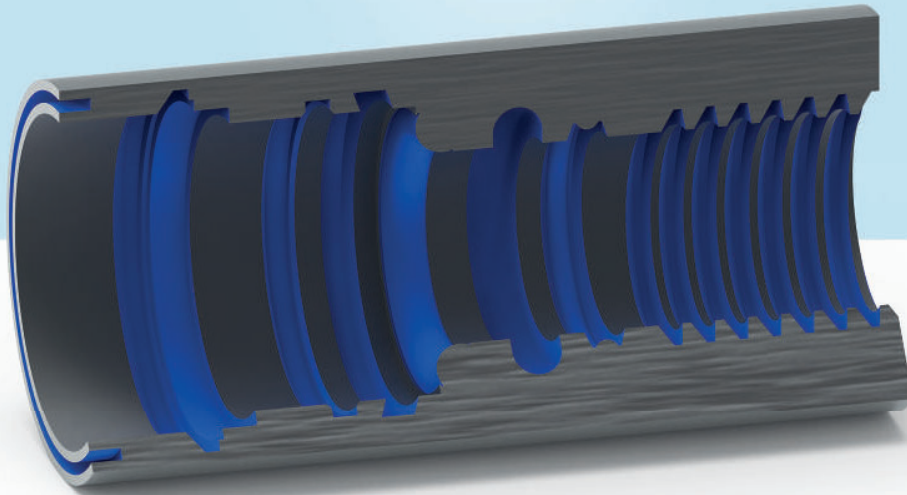
Ürün Kodu
Product Code
Artikelnummer

Takım Ölçüleri (mm)
Dimension (mm)
Abmessung (mm)

| | W | L2 | Ødmin | R | f | LH | tmax | ØD |
|-----------------|-------|------|-------|------|------|------|------|----|
| APFG06.152.0787 | 0.787 | 15.2 | 6.2 | 0.05 | 2.95 | 18.0 | 1.8 | 6 |
| APFG06.152.1000 | 1.0 | 15.2 | 6.2 | 0.05 | 2.95 | 18.0 | 2.0 | 6 |
| APFG06.152.1500 | 1.5 | 15.2 | 6.2 | 0.05 | 2.95 | 18.0 | 3.0 | 6 |
| APFG06.152.1000 | 1.0 | 15.2 | 6.2 | 0.15 | 2.95 | 18.0 | 2.0 | 6 |
| APFG06.152.1168 | 1.168 | 15.2 | 6.2 | 0.15 | 2.95 | 18.0 | 2.34 | 6 |
| APFG06.152.1500 | 1.5 | 15.2 | 6.2 | 0.15 | 2.95 | 18.0 | 3.0 | 6 |
| APFG06.152.1575 | 1.575 | 15.2 | 6.2 | 0.15 | 2.95 | 18.0 | 3.15 | 6 |
| APFG06.152.1981 | 1.981 | 15.2 | 6.2 | 0.15 | 2.95 | 18.0 | 3.95 | 6 |
| APFG06.152.2000 | 2.0 | 15.2 | 6.2 | 0.15 | 2.95 | 18.0 | 4.0 | 6 |
| APFG06.152.2388 | 2.388 | 15.2 | 6.2 | 0.15 | 2.95 | 18.0 | 5.0 | 6 |
| APFG06.152.2500 | 2.5 | 15.2 | 6.2 | 0.15 | 2.95 | 18.0 | 5.0 | 6 |
| APFG06.152.3000 | 3.0 | 15.2 | 6.2 | 0.15 | 2.95 | 18.0 | 6.0 | 6 |
| APFG06.152.3175 | 3.175 | 15.2 | 6.2 | 0.15 | 2.95 | 18.0 | 6.0 | 6 |



SPECIAL MINI CUT TOOLS



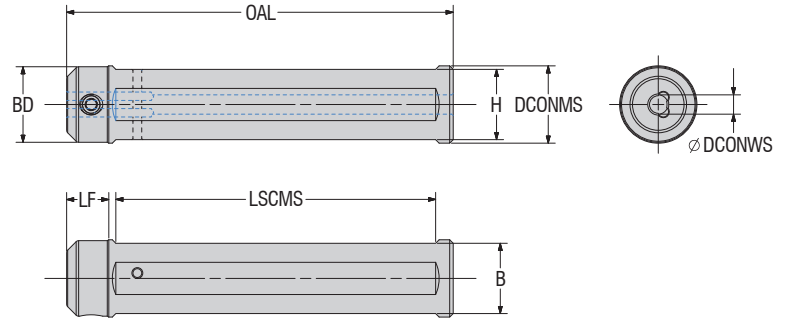
MINI CUT TAKIMLARI BİLGİ ALMA FORMU
INFORMATION REQUEST FORM FOR MINI CUT TOOLS
INFORMATIONSFORMULAR FÜR MINI CUT WERKZEUGE

| TOOL TYPE | | TOOL DIMENSIONS | | | | |
|---------------|--------------------------|-----------------|-------|---|--------------------------------------|------------------------------------------------------------------|
| | | ØD | ØDmin | L | RE | TMAX |
| BORING | <input type="checkbox"/> | | | | | |
| GROOVING | <input type="checkbox"/> | | | | RE - R1,R2 | W TMAX |
| FACE GROOVING | <input type="checkbox"/> | | | | RE - R1,R2 | W TMAX |
| THREADING | <input type="checkbox"/> | | | | CHOOSE THREADING TYPE | |
| | | | | | METRIC <input type="checkbox"/> | NPT <input type="checkbox"/> UNF/UNC <input type="checkbox"/> |
| | | | | | TRAPEZOIDAL <input type="checkbox"/> | WHITWORTH <input type="checkbox"/> ACME <input type="checkbox"/> |

MINI CUT TUTUCULAR

MINI CUT HOLDERS
MINI CUT HALTER





| Takım Kodu Ordering Code Bestell-Bezeichnung | Stok Stock Lager | Takım Ölçüleri (mm) Dimension (mm) Abmessung (mm) | | | | | | | |
|----------------------------------------------------|------------------------|---------------------------------------------------------|-----|--------|-------|----|-------|-------|-------|
| | | DCONWS | OAL | DCONMS | BD | LF | LSCMS | B | H |
| APCH-16-4-L110-H | ○ | 4 | 110 | 16 | - | - | 56 | 14.8 | 14.8 |
| APCH-16-5-L110-H | ○ | 5 | 110 | 16 | - | - | 56 | 14.8 | 14.8 |
| APCH-16-6-L110-H | ○ | 6 | 110 | 16 | - | - | 56 | 14.8 | 14.8 |
| APCH-16-7-L110-H | ○ | 7 | 110 | 16 | - | - | 56 | 14.8 | 14.8 |
| APCH-20-4-L110-H | ● | 4 | 110 | 20 | 19.50 | 11 | 92 | 18.80 | 18.80 |
| APCH-20-5-L110-H | ● | 5 | 110 | 20 | 19.50 | 11 | 92 | 18.80 | 18.80 |
| APCH-20-6-L110-H | ● | 6 | 110 | 20 | 19.50 | 11 | 92 | 18.80 | 18.80 |
| APCH-20-7-L110-H | ● | 7 | 110 | 20 | 19.50 | 11 | 91 | 18.80 | 18.80 |
| APCH-22-4-L110-H | ● | 4 | 110 | 22 | 21.50 | 12 | 91 | 20 | 20 |
| APCH-22-5-L110-H | ● | 5 | 110 | 22 | 21.50 | 12 | 91 | 20 | 20 |
| APCH-22-6-L110-H | ● | 6 | 110 | 22 | 21.50 | 12 | 91 | 20 | 20 |
| APCH-22-7-L110-H | ● | 7 | 110 | 22 | 21.50 | 12 | 91 | 20 | 20 |

Sipariş Örneği/Ordering Example/Bestellbeispiel
1 ad./pcs./stück APCH-16-4-L110-H

