

## SERIES 442

## HIGH PRECISION DIGITAL THICKNESS GAUGE



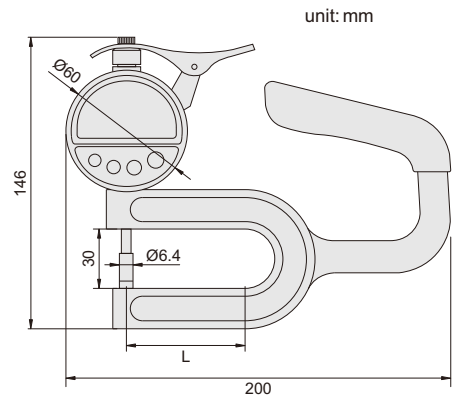
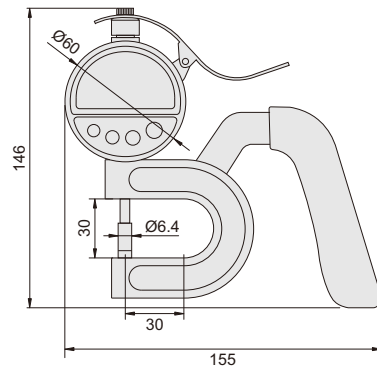
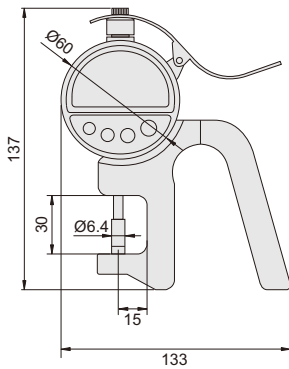
442-105-15



442-101-30



442-101-60



unit: mm

- ◆ Absolute encoder, the original data remains after power off
- ◆ With recharge cable (only 442-105-15 recharge and data output shared)
- ◆ Button: data output, on/off, zero, inch/mm conversion, measuring direction set, data preset absolute/incremental measurement, max./min./range measurement, tolerance set, hold
- ◆ Measuring force: 0.5-1N
- ◆ With analog reading
- ◆ Power: rechargeable battery, for 12 hours continuous working (full charge)

Included



| Code       | Range         | Resolution        | Accuracy  | Repeatability | L     |
|------------|---------------|-------------------|-----------|---------------|-------|
| 442-105-15 | 0-10mm/0-0.4" | 0.0005mm/0.00002" | ±0.0015mm | 0.0005mm      | -     |
| 442-101-15 | 0-10mm/0-0.4" | 0.001mm/0.00005"  | ±0.002mm  | 0.001mm       | -     |
| 442-101-30 | 0-10mm/0-0.4" | 0.001mm/0.00005"  | ±0.002mm  | 0.001mm       | -     |
| 442-101-60 | 0-10mm/0-0.4" | 0.001mm/0.00005"  | ±0.003mm  | 0.001mm       | 60mm  |
| 442-101-00 | 0-10mm/0-0.4" | 0.001mm/0.00005"  | ±0.004mm  | 0.001mm       | 100mm |