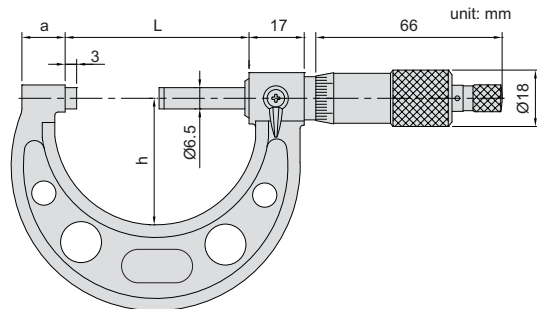


379

LONG SPINDLE OUTSIDE MICROMETER

- ◆ Graduation 0.01mm
- ◆ Ratchet stop
- ◆ Carbide measuring faces



| Code | Range | Accuracy | L | a | h |
|------------|--------|-----------|----|----|----|
| 379-001-01 | 0-25mm | 4 μ m | 57 | 14 | 38 |