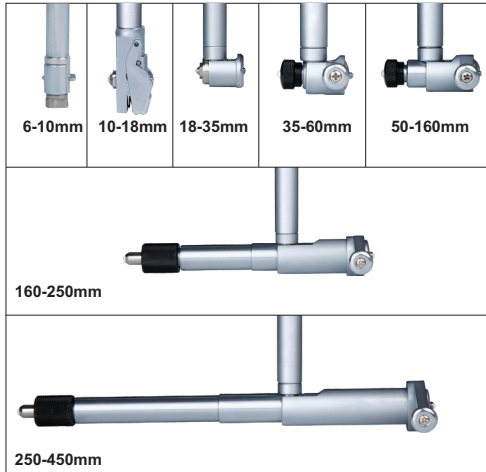


SERIES 251

DIAL BORE GAUGE SET

◆ Optional accessory: series 531 setting rings



Bore gauge setter for setting zero (optional)

Setting ring (optional)



Measuring tips (included)

gasket (included)



series 215 (optional)



251-046-11



251-346-13

INSIDE/OUTSIDE MEASUREMENT

Code	Range	indicator	Accuracy	Repeatability	Bore gages included
251-046-11	35-160mm	range 10mm graduation 0.01mm	35-50mm ±0.018mm 50-160mm ±0.018mm	0.003mm	35-50mm anvil (dial indicator and handle are not included) 50-160mm bore gage
251-346-13	18-160mm	range 10mm graduation 0.01mm	18-35mm ±0.015mm 35-60mm ±0.018mm 50-160mm ±0.018mm	0.003mm	18-35mm bore gage 35-60mm (dial indicator is not included) 50-160mm (dial indicator is not included)