

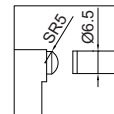
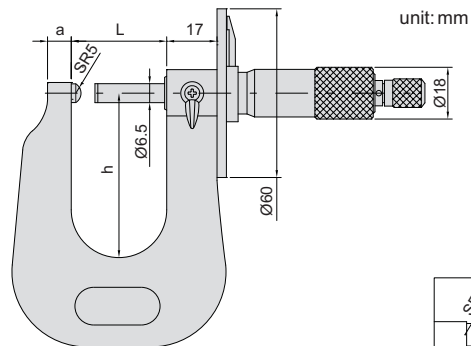
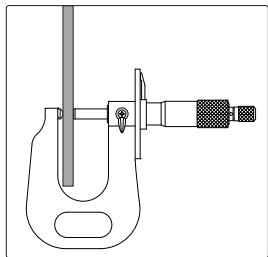
## 347

## SHEET METAL MICROMETER

- ◆ Measure thickness of sheet metal, paper, plastic and rubber parts
- ◆ Graduation 0.01mm
- ◆ Ratchet stop
- ◆ Carbide measuring faces



Application



Code	Range	Accuracy	a	h	L
347-015-01	0-15mm	4µm	8	50	22
347-001-01	0-25mm	4µm	8	50	32
347-002-01	0-50mm	5µm	12	100	57