

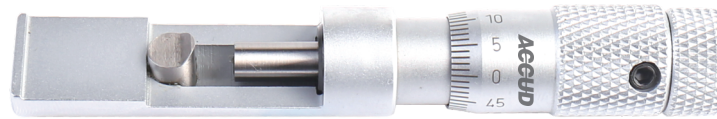
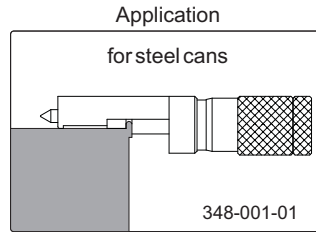
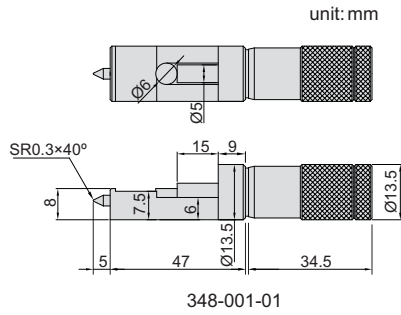
SERIES 348

CAN SEAM MICROMETER

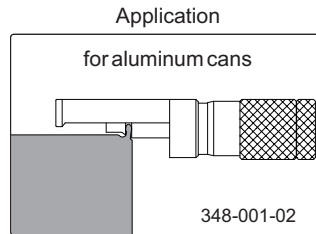
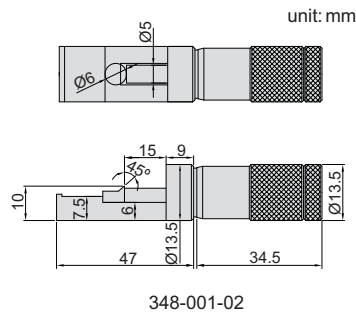
- ◆ Measure the width, height and depth of can seams
- ◆ Graduation 0.01mm



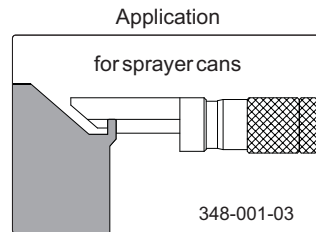
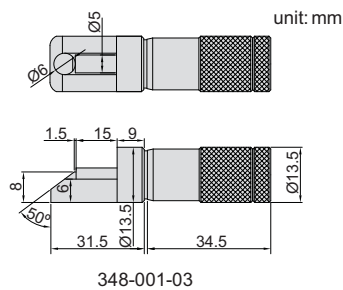
348-001-01



348-001-02



348-001-03



Code	Range	Accuracy
348-001-01	0-13mm	4µm
348-001-02	0-13mm	4µm
348-001-03	0-13mm	4µm