

- ◆ Graduation 0.01mm
- ◆ Measure width of grooves inside bores
- ◆ Non-rotating spindle
- ◆ Two graduations for inside and outside measurement



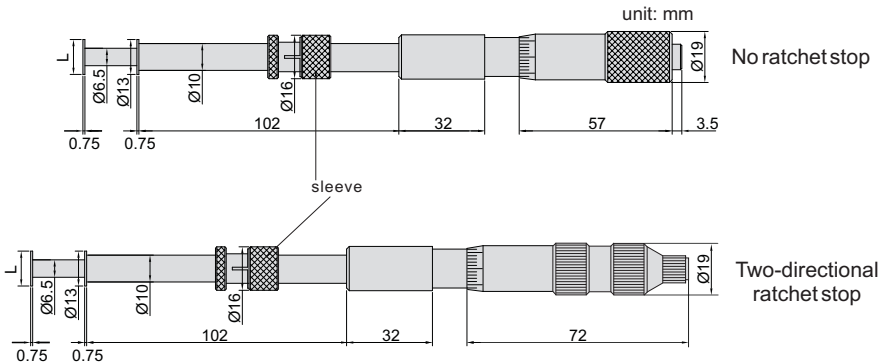
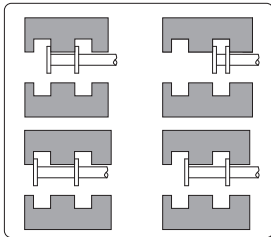
**344-004-01**



**344-002-11**

MICROMETER

Application



**No ratchet stop**

Code	Range(outside)	Range(inside)	Accuracy	L
<b>344-001-01</b>	0-25mm	1.6-26.5mm	10µm	13
<b>344-002-01</b>	25-50mm	26.5-51.5mm	10µm	13
<b>344-003-01</b>	50-75mm	51.5-76.5mm	10µm	13
<b>344-004-01</b>	75-100mm	76.5-101.5mm	10µm	13
<b>344-001-02</b>	0-25mm	1.6-26.5mm	10µm	6.5

**Two-directional ratchet stop**

Code	Range(outside)	Range(inside)	Accuracy	L
<b>344-001-11</b>	0-25mm	1.6-26.5mm	10µm	13
<b>344-002-11</b>	25-50mm	26.5-51.5mm	10µm	13
<b>344-003-11</b>	50-75mm	51.5-76.5mm	10µm	13
<b>344-004-11</b>	75-100mm	76.5-101.5mm	10µm	13
<b>344-001-12</b>	0-25mm	1.6-26.5mm	10µm	6.5

\*344-001-02 and 344-001-12 do not have sleeve.