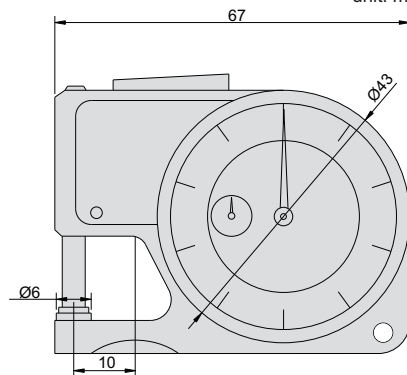


447**THICKNESS GAUGE**

- ◆ Stainless steel spindle tip and anvil



unit: mm



Code	Range	Graduation	Accuracy
447-010-11	0-10mm	0.01mm	±0.02mm

AEEUD