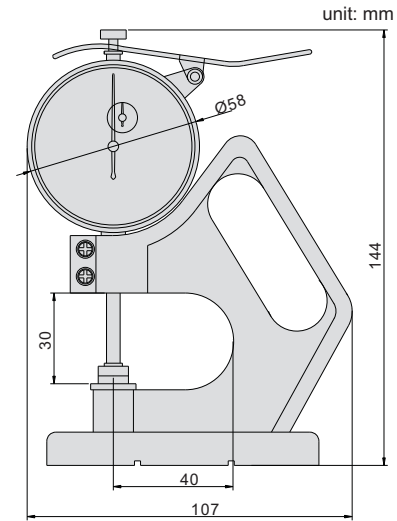


- ◆ Graduation: 0.01mm
- ◆ Ceramic anvil, diameter: $\varnothing 10\text{mm}$



Code	Range	Accuracy
449-010-11	0-10mm	$\pm 0.02\text{mm}$