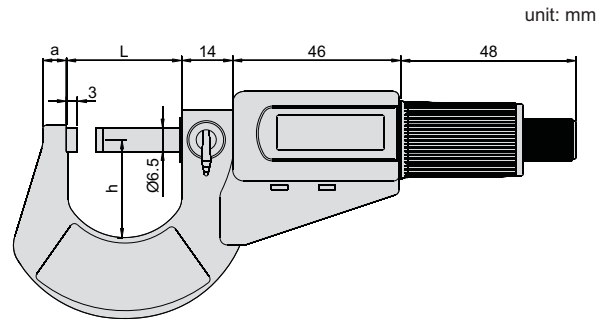


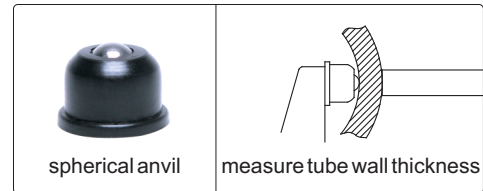


**312-001-03**

- ◆ Resolution: 0.001mm/0.00005"
- ◆ Button: ON/OFF/SET, ABS/INC/UNIT
- ◆ Carbide measuring faces
- ◆ Ratchet stop
- ◆ Setting standards are included (except **312-001-03**)



Setting standards (included)



| Code               | Range          | Accuracy | a  | h    | L   | Setting standards(included) |
|--------------------|----------------|----------|----|------|-----|-----------------------------|
| <b>312-001-03*</b> | 0-25mm/0-1"    | ±2µm     | 6  | 27.5 | 32  | -                           |
| <b>312-002-03*</b> | 25-50mm/1-2"   | ±2µm     | 8  | 37   | 57  | 25mm                        |
| <b>312-003-03*</b> | 50-75mm/2-3"   | ±3µm     | 8  | 50   | 82  | 50mm                        |
| <b>312-004-03*</b> | 75-100mm/3-4"  | ±3µm     | 10 | 61   | 107 | 75mm                        |
| <b>312-005-03</b>  | 100-125mm/4-5" | ±3µm     | 10 | 73   | 132 | 100mm                       |
| <b>312-006-03</b>  | 125-150mm/5-6" | ±3µm     | 10 | 85   | 157 | 125mm                       |
| <b>312-007-03</b>  | 150-175mm/6-7" | ±4µm     | 21 | 104  | 182 | 150mm                       |
| <b>312-008-03</b>  | 175-200mm/7-8" | ±4µm     | 21 | 117  | 207 | 175mm                       |

Set

| Code               | Range        | Total QTY. | Included micrometers   | Package         |
|--------------------|--------------|------------|--|-----------------|
| <b>312-003-33*</b> | 0-75mm/0-3"  | 3pcs       | 0-25mm/0-1", 25-50mm/1-2", 50-75mm/2-3"  | blow mould case |
| <b>312-004-44*</b> | 0-100mm/0-4" | 4pcs       | 0-25mm/0-1", 25-50mm/1-2", 50-75mm/2-3", 75-100mm/3-4"                                 | blow mould case |
| <b>312-006-66</b>  | 0-150mm/0-6" | 6pcs       | 0-25mm/0-1", 25-50mm/1-2", 50-75mm/2-3", 75-100mm/3-4", 100-125mm/4-5", 125-150mm/5-6" | aluminum box    |

\*with calibration certificate