

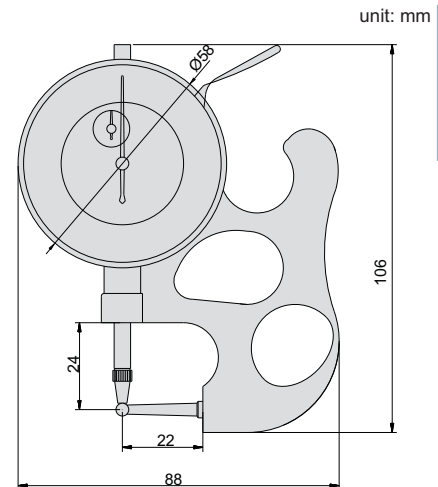
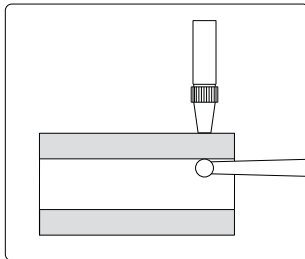
448

## THICKNESS GAUGE



AECUD

- ◆ Measure the wall thickness of tube



Code	Range	Accuracy	Graduation
448-010-11	0-10mm	$\pm 0.02\text{mm}$	0.01mm