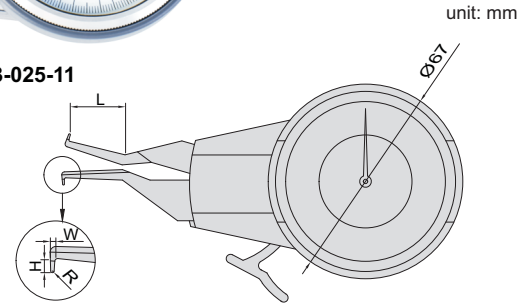


**413-025-11**



Code	Range	Graduation	Accuracy	L	H	W	R
<b>413-015-11</b>	5-15mm	0.01mm	±0.03mm	20	2	1.5	R0.3
<b>413-025-11</b>	5-25mm	0.01mm	±0.03mm	35	1.5	1.0	R0.3
<b>413-030-11</b>	10-30mm	0.01mm	±0.03mm	55	5.5	2.5	R0.5
<b>413-040-11</b>	20-40mm	0.01mm	±0.03mm	80	6.0	3.0	R0.5
<b>413-050-11</b>	30-50mm	0.01mm	±0.03mm	80	8.0	3.0	R0.5
<b>413-060-11</b>	40-60mm	0.01mm	±0.03mm	80	8.0	3.0	R0.5