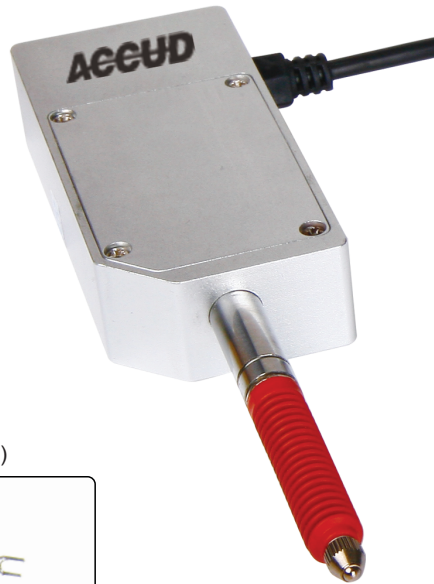




- ◆ Suitable for measuring the height, thickness, squareness, coaxiality and so on.
- ◆ IP65 protection level
- ◆ High frequency: 100 times/s, can measure high speed workpiece
- ◆ Output signal : 90° phase difference wave
- ◆ Standard cable length: 2m
- ◆ Long working life due to the special bearing

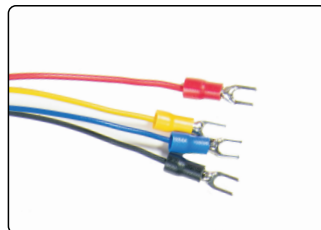


201-010-11

Interface(RS232)

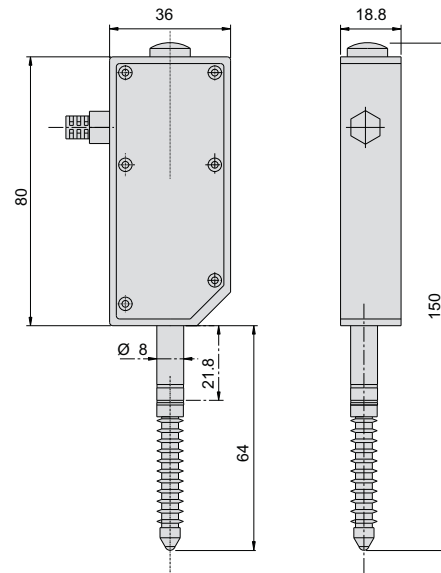
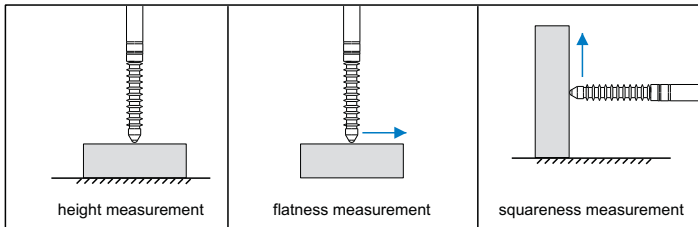


Interface(Pin4)

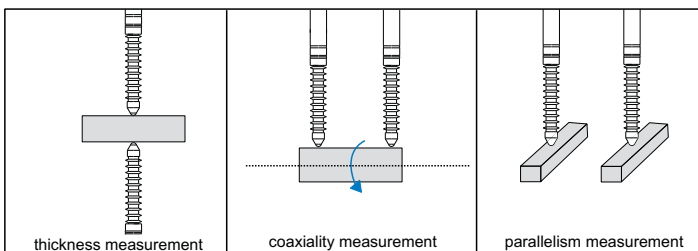


unit: mm

Single gauge application



Multi-gauges application



Resolution 0.001mm

Code	Interface	Range	Measuring force	Stem	Accuracy	Hysteresis
201-010-01	Pin4	0-12.7mm	1.5N	Ø8mm	5µm	2µm
201-010-02	RS232	0-12.7mm	1.5N	Ø8mm	5µm	2µm

Resolution 0.01mm

Code	Interface	Range	Measuring force	Stem	Accuracy	Hysteresis
201-010-11	Pin4	0-12.7mm	1.5N	Ø8mm	20µm	10µm
201-010-12	RS232	0-12.7mm	1.5N	Ø8mm	20µm	10µm