

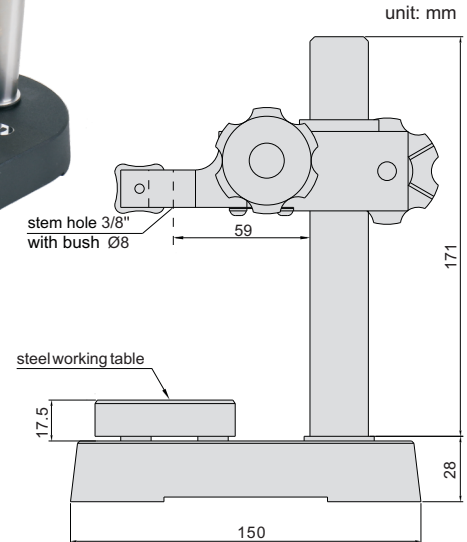
- ◆ Working table is made of steel
- ◆ Holder vertical travel: 100mm
- ◆ With fine adjustment: $\pm 1.5\text{mm}$
- ◆ Working table surface hardness is $60\pm 2\text{HRC}$



294-080-12



294-060-11



Code	Working table flatness	Working table size
294-060-11	1.5 μm	$\varnothing 60\text{mm}$

Code	Working table flatness	Working table size
294-080-12	1.5 μm	80x80mm