



260-002-02



260-010-01

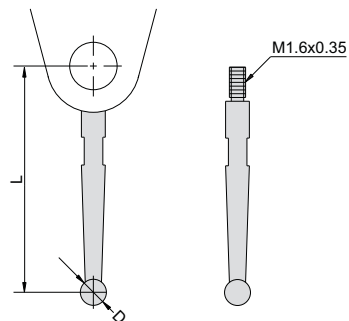
(For 261-008-11 and 261-008-12)



260-009-01

(For 261-002-01 and 261-002-02)

| Code | For products | Tip material | D(mm) | L(mm) |
|------------|--------------------------|--------------|-------|-------|
| 260-001-01 | 261-008-11 | steel | SØ1 | 16.5 |
| 260-002-02 | 261-008-12 266-016-11 | carbide | SØ2 | 16.5 |
| 260-003-02 | 264-008-11 | carbide | SØ3 | 16.5 |
| 260-010-01 | 265-008-11 | ruby | SØ2 | 16.5 |
| 260-009-01 | 261-002-01 261-002-02 | ruby | SØ2 | 15 |
| 260-010-02 | 263-008-11 | carbide | SØ2 | 30.5 |
| 260-010-03 | 263-008-11L | ruby | SØ2 | 46.4 |



unit: mm