

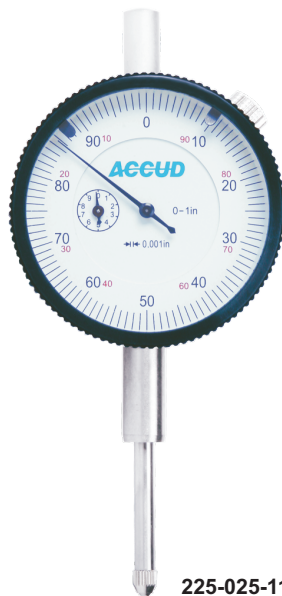
SERIES 225

INCH DIAL INDICATOR

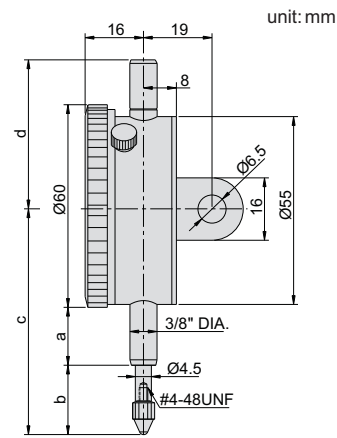


- ◆ Supplied with limit hands and bezel clamp
- ◆ Lug back

Application



225-025-11



unit: mm

Code	Range	Graduation	Dial reading	Range/rev	Accuracy(fges)	a	b	c	d
225-006-11	0.25"	0.001"	0-100	0.1"	0.004"	20	25	75	46
225-012-11	0.5"	0.001"	0-100	0.1"	0.004"	20	25	75	46
225-025-11	1"	0.001"	0-100	0.1"	0.004"	20	35	85	46
225-050-11	2"	0.001"	0-100	0.1"	0.008"	50	59	139	111