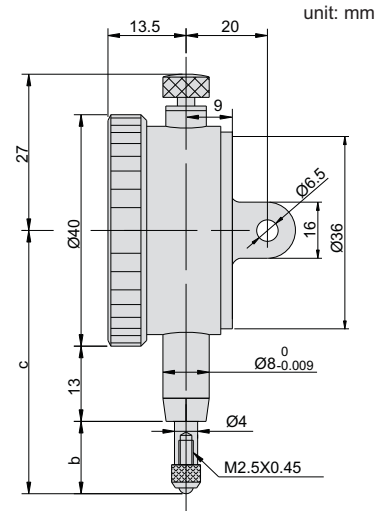




- ◆ Bezel: Ø40mm
- ◆ Graduation: 0.01mm
- ◆ With limit hands
- ◆ Jeweled bearing
- ◆ Rang per revolution: 1mm
- ◆ Supplied with lug and flat back



228-005-11

Styli (optional)



Series 270

Application



INDICATOR

Code	Range	Accuracy	Hysteresis	Scale	b	c
228-003-11	3mm	14µm	3µm	0-100	11mm	44mm
228-005-11	5mm	16µm	3µm	0-100	12.5mm	45.5mm