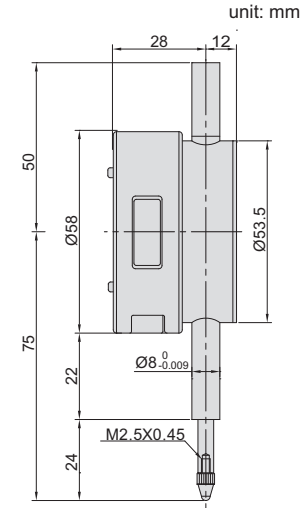




- ◆ Specially designed for bore gauges
- ◆ The minimum value tracking function can find the diameter automatically
- ◆ Read the diameter directly, after inputting the size of setting ring
- ◆ Reading in digit and analog
- ◆ Button: minimum value tracking, calibration, data preset, inch/metric conversion, absolute/incremental measurement
- ◆ Automatic power off
- ◆ Data output(cable code:200-03 or 200-04)



215-010-12



Resolution 0.001mm/0.00005"

Code	Range	Accuracy(fgcs)	Hysteresis(fu)	Remark
215-010-02	12.7mm/0.5"	5µm	2µm	flat back

Resolution 0.002mm/0.0001"

Code	Range	Accuracy(fgcs)	Hysteresis(fu)	Remark
215-010-12	12.7mm/0.5"	20µm	10µm	flat back

Application



INDICATOR