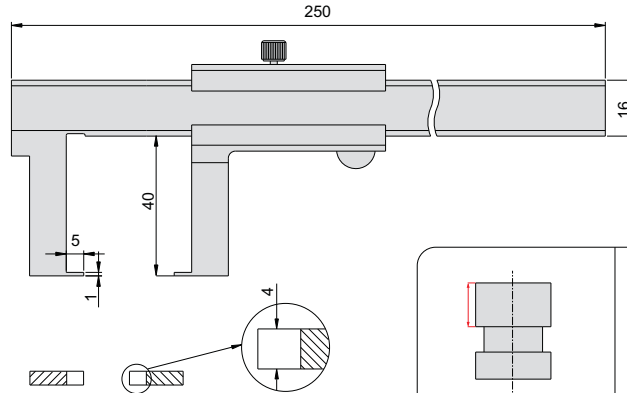


**143-006-11**

unit: mm



- ◆ Measure wall thickness and recesses
- ◆ Made of stainless steel
- ◆ Satin chrome plated reading surface

**Graduation 0.02mm**

Code	Range	Accuracy
143-006-11	0-150mm	±0.04mm

**Graduation 0.05mm**

Code	Range	Accuracy
143-006-13	0-150mm	±0.05mm

