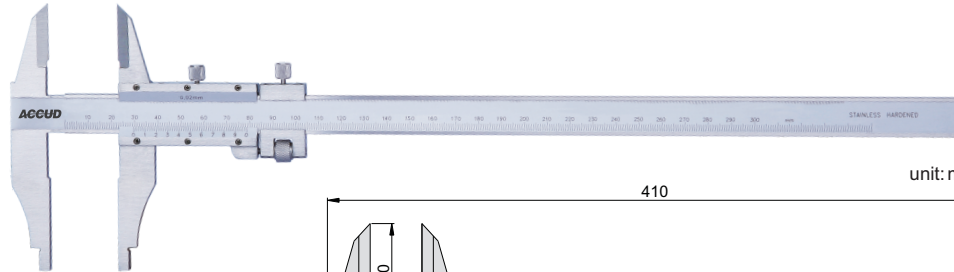
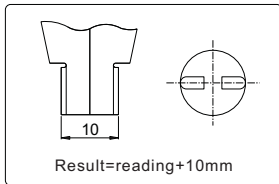
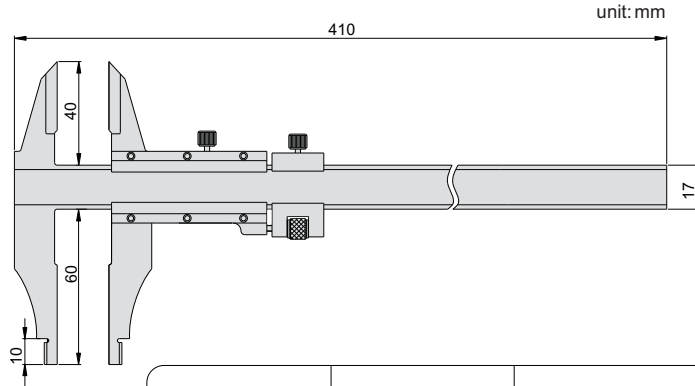


122

VERNIER CALIPER



- ◆ With fine adjustment
- ◆ Made of stainless steel
- ◆ Satin chrome reading surface



Code	Range	Graduation	Accuracy
122-012-11	0-300mm	0.02mm	±0.03mm

