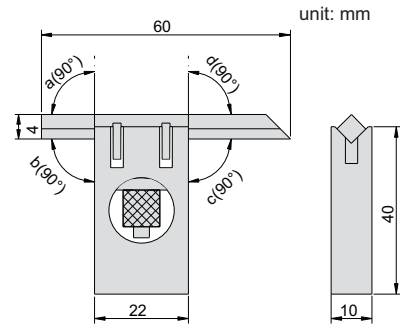
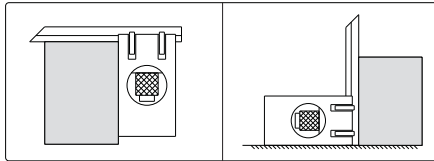


- ◆ The straight edge can move and can be locked by the screw
- ◆ Made of hardened stainless steel



Code	Squareness (a, b, c, d)
831-002-10	7 μ m