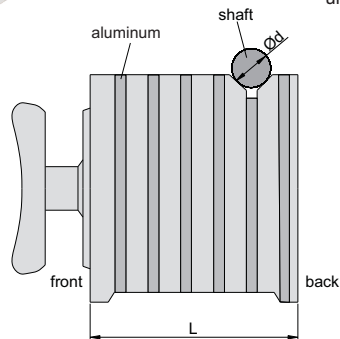
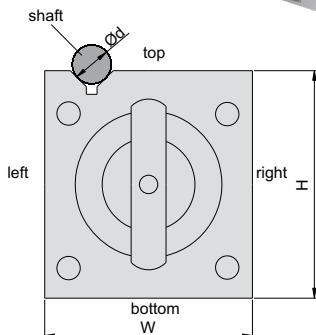


**649-004-01**

unit: mm



Code	Size(LxWxH)	Magnetic force	Range of shafts (Ød)	Parallelism or squareness between top, bottom, left, right and back sides	Parallelism or squareness of both V grooves to top, bottom, left, right and back sides
<b>649-004-01</b>	100x100x100mm	30kgf	6-36mm	10µm	10µm
<b>649-006-01</b>	150x150x150mm	40kgf	6-44mm	15µm	15µm