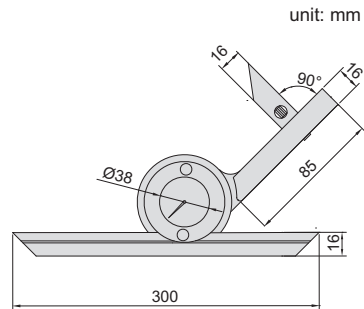
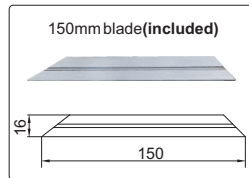
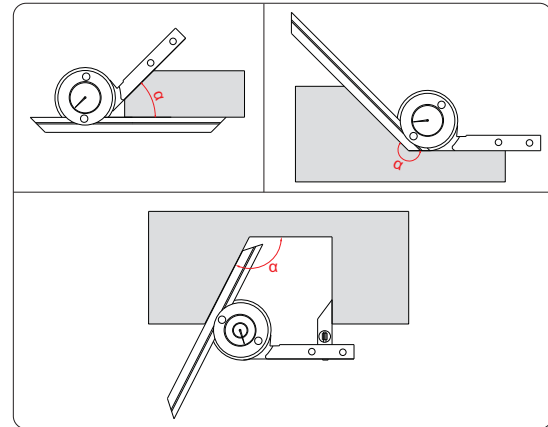


- ◆ Graduation: 5'
- ◆ With one blade: 150mm
- ◆ Made of carbon steel
- ◆ Optional accessory: clamp for height gages



## Application



Code	Range	Accuracy
816-360-01	0-360°	±5'