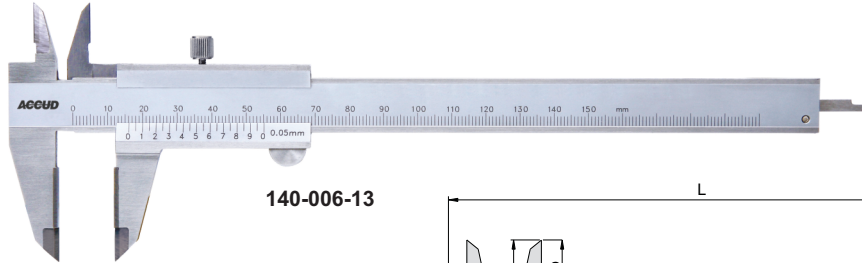


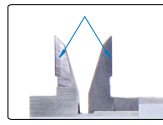
# SERIES 140

# VERNIER CALIPER WITH CARBIDE TIPPED JAWS

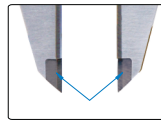


140-006-13

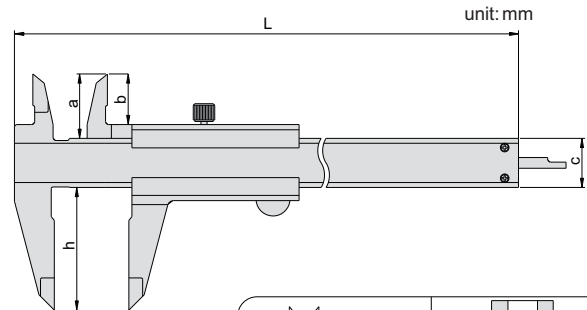
- ◆ Carbide tipped jaws
- ◆ Meet DIN862
- ◆ Satin chrome reading surface
- ◆ Made of stainless steel



Carbide tipped jaws



Carbide tipped jaws



### Graduation 0.02mm

Code	Range	Accuracy	a	b	c	h	L
140-006-11	0-150mm	±0.03mm	21	16.5	16	40	235
140-008-11	0-200mm	±0.03mm	24	19	16	50	295
140-012-11	0-300mm	±0.03mm	25	20	17	60	410

### Graduation 0.05mm

Code	Range	Accuracy	a	b	c	h	L
140-006-13	0-150mm	±0.03mm	21	16.5	16	40	235
140-008-13	0-200mm	±0.03mm	24	19	16	50	295
140-012-13	0-300mm	±0.03mm	25	20	17	60	410

