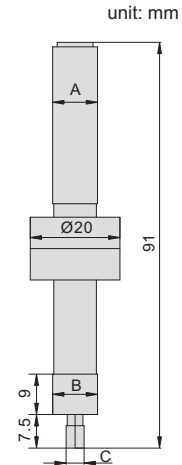
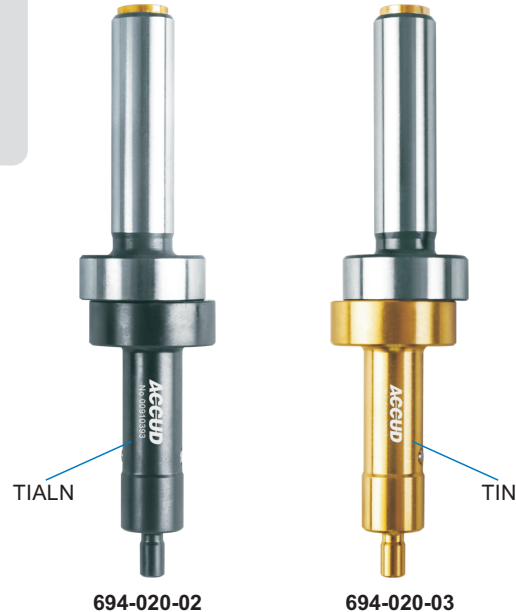
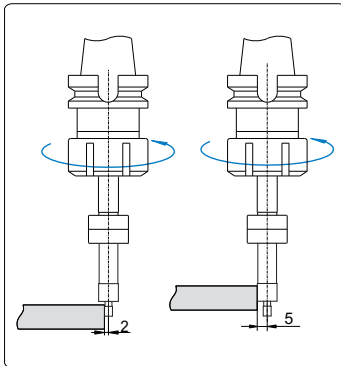


SERIES 694

NON-MAGNETIC EDGE FINDER



- ◆ Non-magnetic
- ◆ TIALN coating, hardness HV3500;
TIN coating, hardness Hv2300,
extremely wear resistance
- ◆ Suitable for machine speed 400~600rpm



Code	Shank(A)	Contact point(B)	Contact point(C)	Accuracy
694-020-02	Ø10mm	Ø10mm	Ø4mm	5µm
694-020-03	Ø10mm	Ø10mm	Ø4mm	5µm

