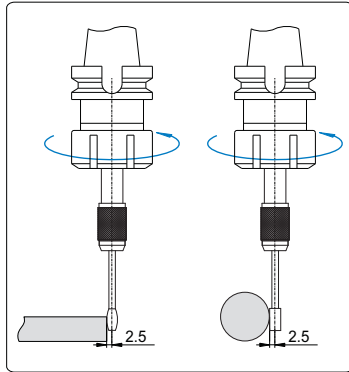
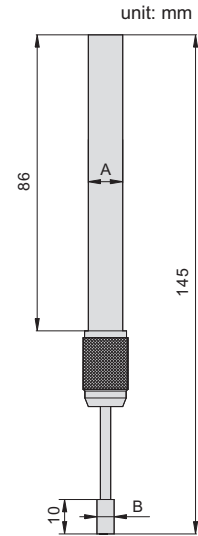
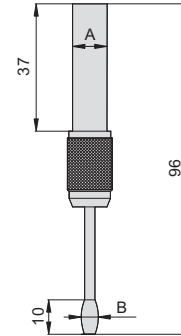




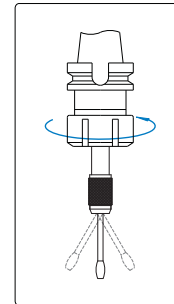
- ◆ Non-magnetic
- ◆ TIN coating, hardness HV2300, extremely wear resistance
- ◆ Suitable for machine speed 500~2000rpm



688-010-01



unit: mm



Code	Shank(A)	Contact point(B)	Accuracy	Application
688-010-01	Ø10mm	Ø5mm	5µm	flat surface
688-010-12	Ø10mm	Ø5mm	5µm	arc surface