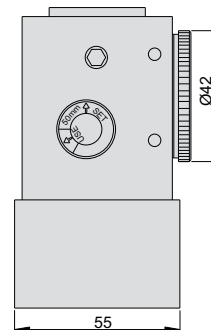
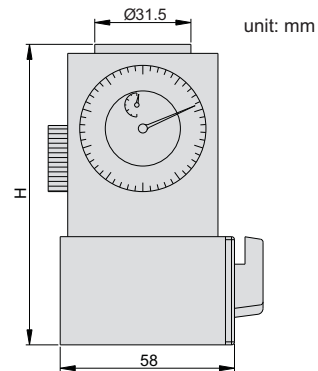
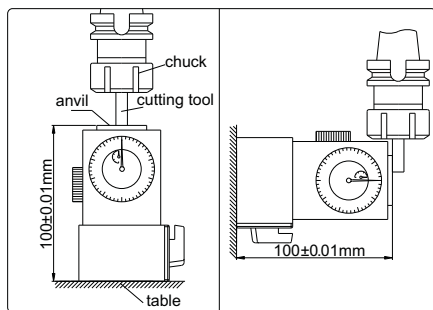


696

ZERO SET

- ◆ Magnetic base with on/off switch



Code	Height (H)	Accuracy	Force
696-100-01	100mm	±10µm	9N