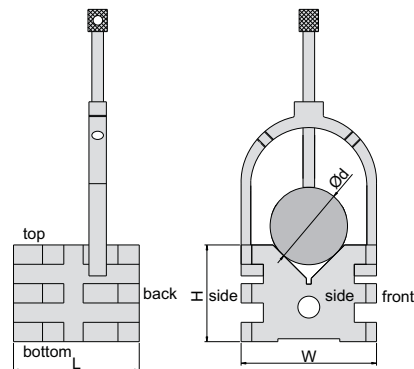
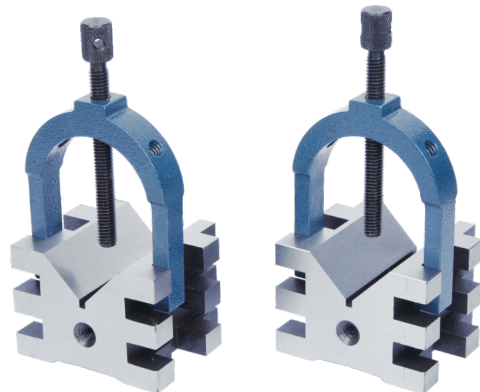


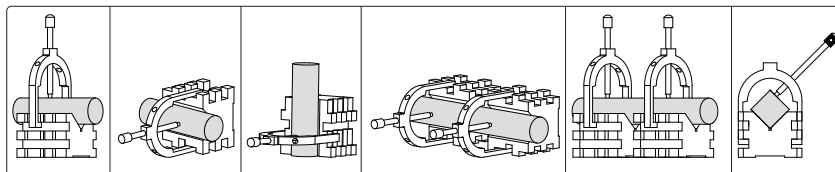


638

V-BLOCK SET



- ◆ Hold cylindrical or rectangular workpieces for inspection and machining
- ◆ Two V-blocks per set
- ◆ Hardened to HRC60±2
- ◆ Applicable for cylinder with diameter (∅d): 5 - 50mm
- ◆ Applicable for rectangular workpieces with thickness: ≤35mm



Code	Size (LxWxH)	Parallelism of V groove to top and bottom sides	Squareness of V groove to front and back sides	Height difference of a matched pair
638-070-01	60x70x50mm	8µm	8µm	8µm