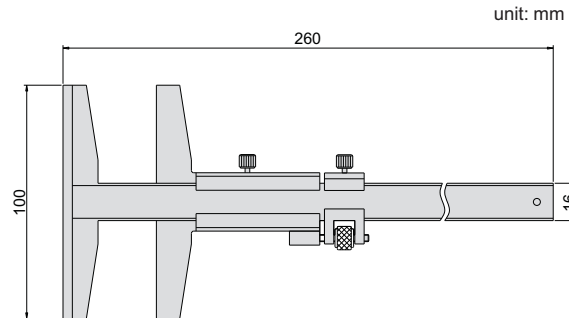
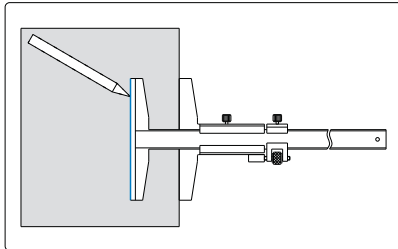
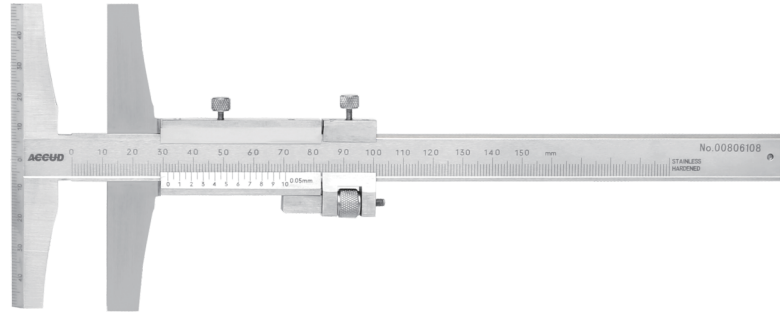


902

T-SHAPE MARKING GAUGE

- ◆ Made of stainless steel
- ◆ Satin chrome plated reading surface



Code	Range	Graduation	Accuracy
902-006-51	0-150mm	0.05mm	±0.05mm