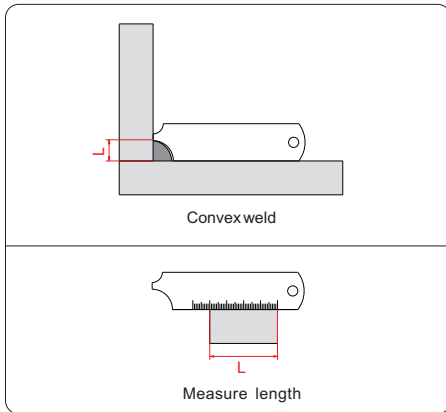




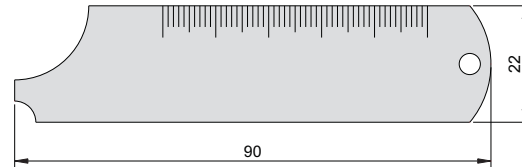
745

FILLET WELDING GAUGE

- ◆ Measure convex weld sizes
- ◆ 3 blades are included
- ◆ Made of stainless steel



unit: mm



Code	Measurement	Range	Graduation	Accuracy
745-050-03	convex weld size	4, 6, 8, 10, 12, 14mm	—	±0.5mm
	length	0-50mm	1mm	±0.5mm