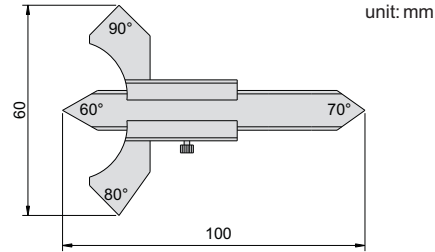
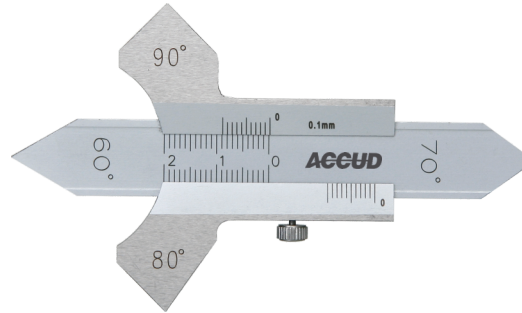
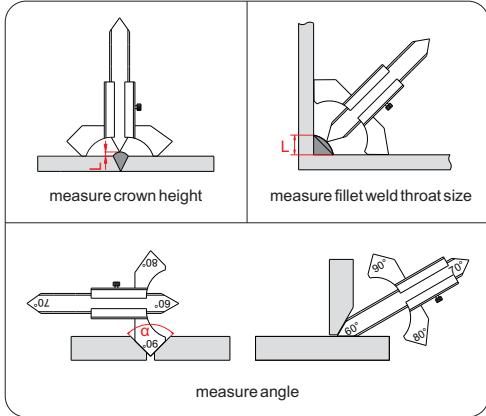


- ◆ Made of stainless steel
- ◆ Stain chrome plated reading surface



Code	Range	Graduation	Accuracy	Application
971-008-01	0 - 8mm	0.1mm	±0.1mm	measure crown height
	0 - 20mm	0.1mm	±0.3mm	measure fillet weld throat size
	60°, 70°, 80°, 90°	—	±1°	measure angle