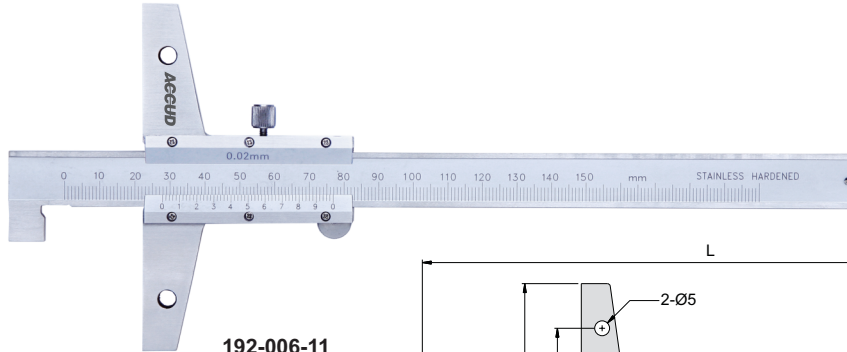




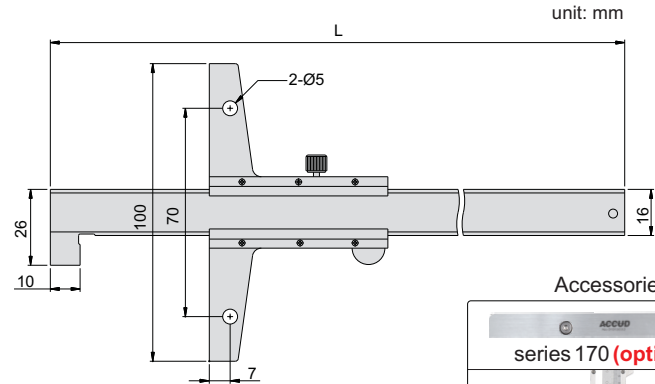
SERIES 192

VERNIER HOOK DEPTH CALIPER

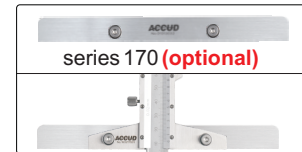


192-006-11

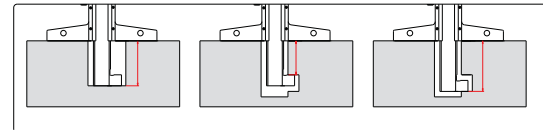
- ◆ Graduation: 0.02mm
- ◆ Made of stainless steel
- ◆ Satin chrome plating finish on reading surface
- ◆ Optional accessory: series 170 extension base



Accessories



series 170 (optional)



Code	Range	Accuracy	L
192-006-11	0-150mm	±0.03mm	245
192-008-11	0-200mm	±0.03mm	295
192-012-11	0-300mm	±0.04mm	395