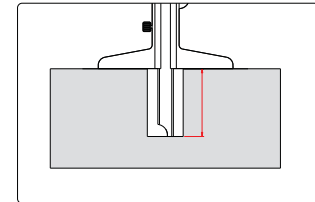
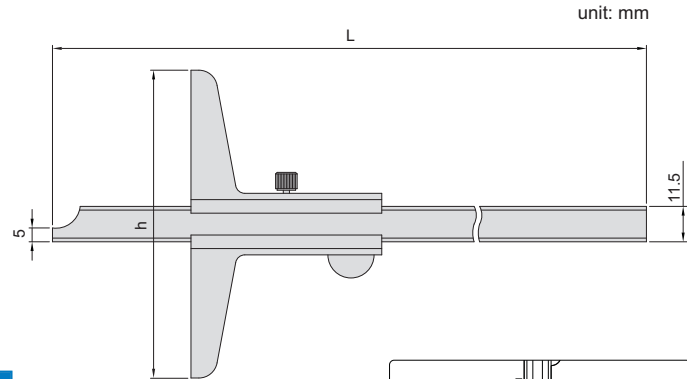


177-008-11

- ◆ Graduation: 0.02mm
- ◆ Made of stainless steel
- ◆ Satin chrome plated reading surface



Code	Range	Accuracy	h	L
177-006-11	0-150mm	±0.03mm	100	245
177-008-11	0-200mm	±0.03mm	100	282
177-012-11	0-300mm	±0.04mm	100	382
177-020-11	0-500mm	±0.05mm	150	585